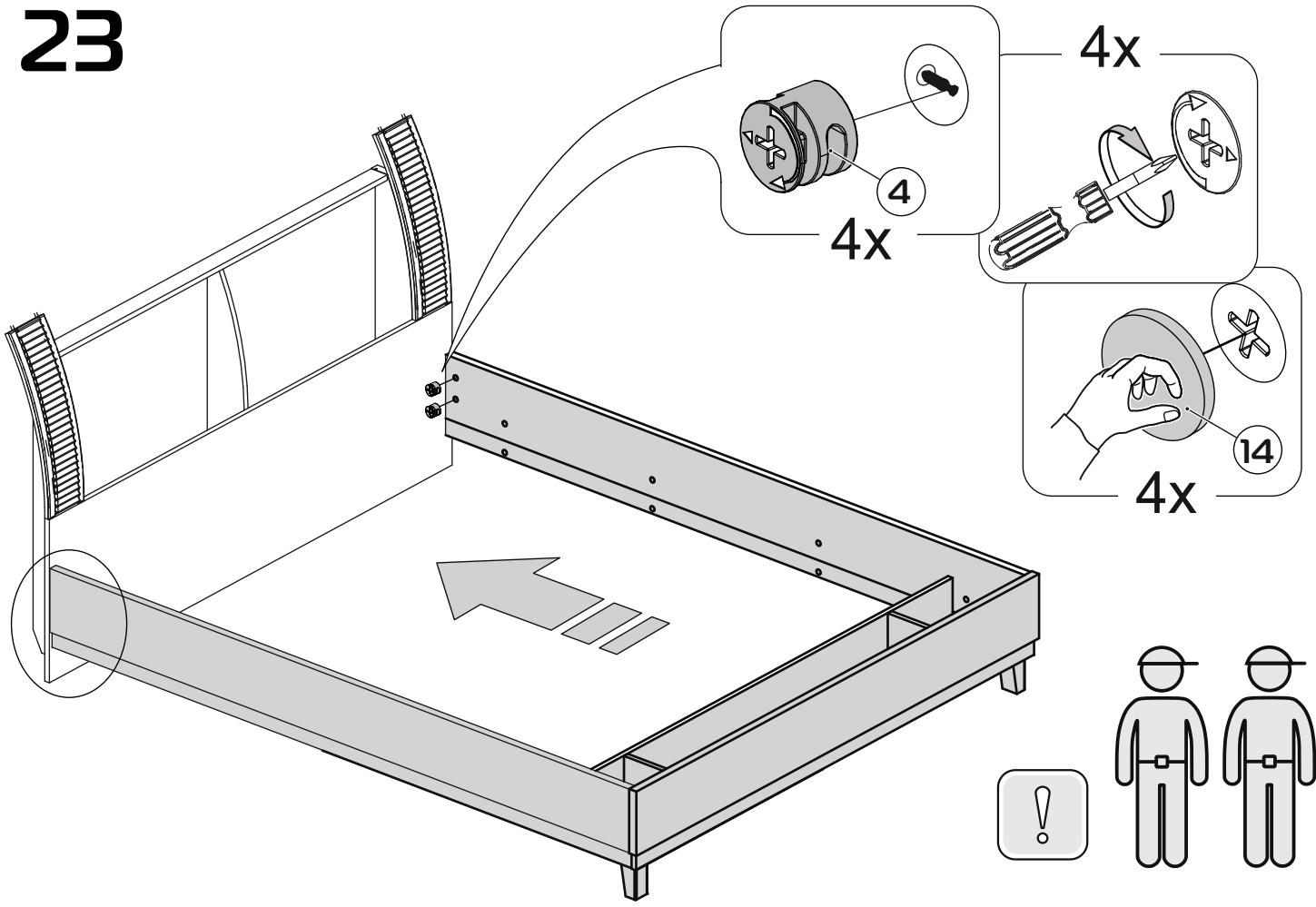
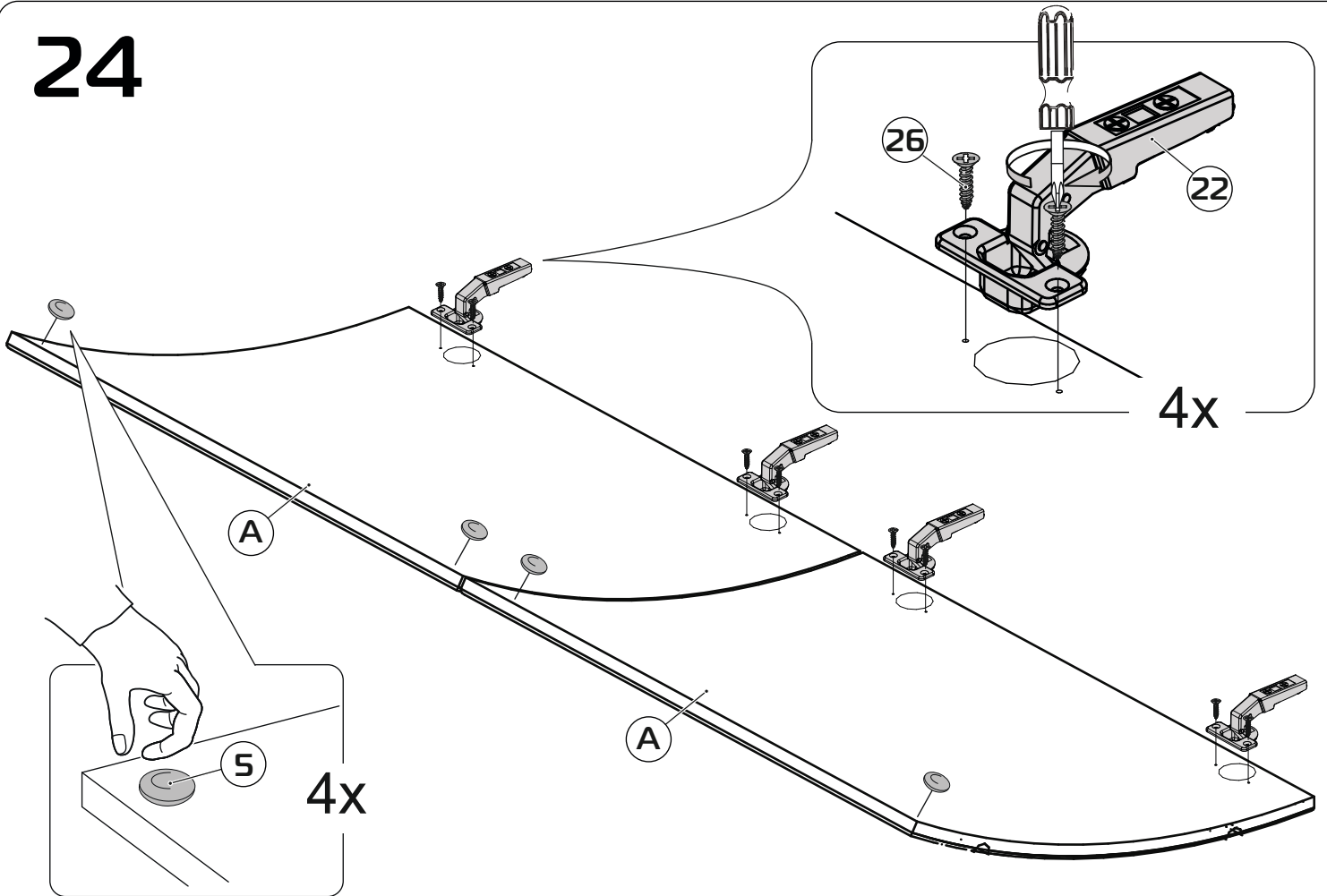


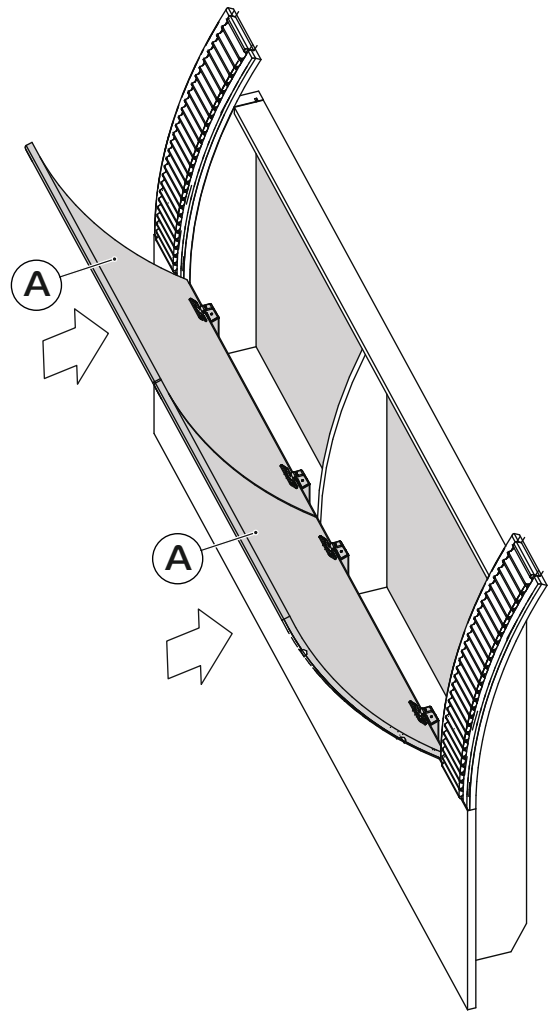
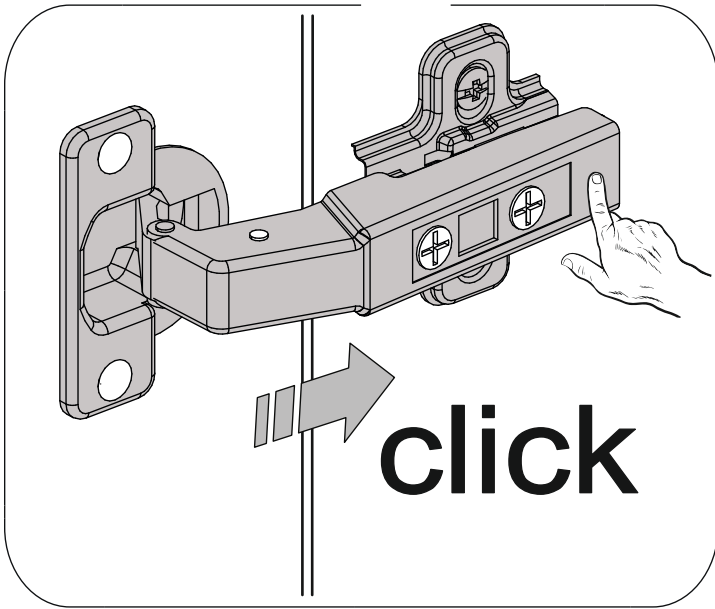
# 23



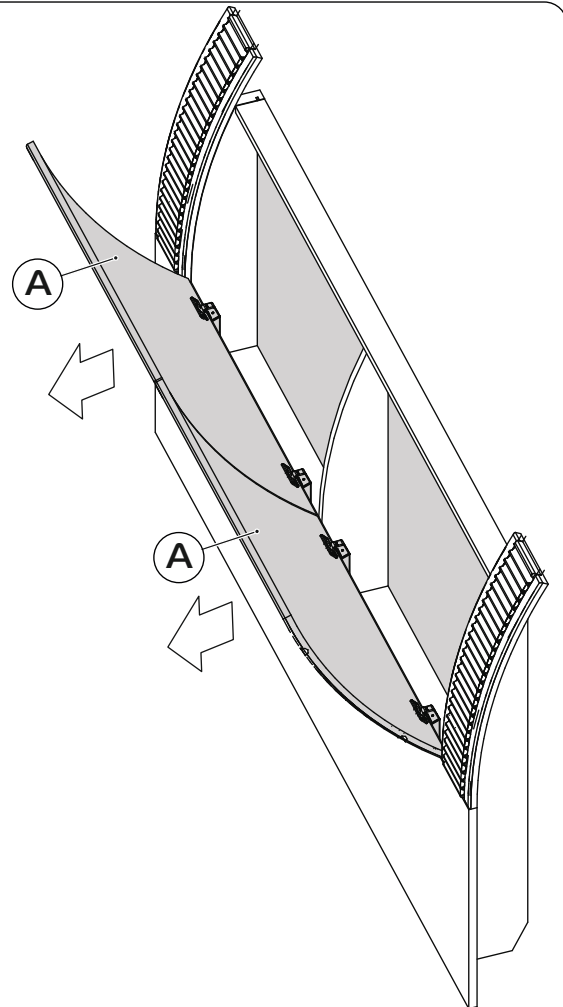
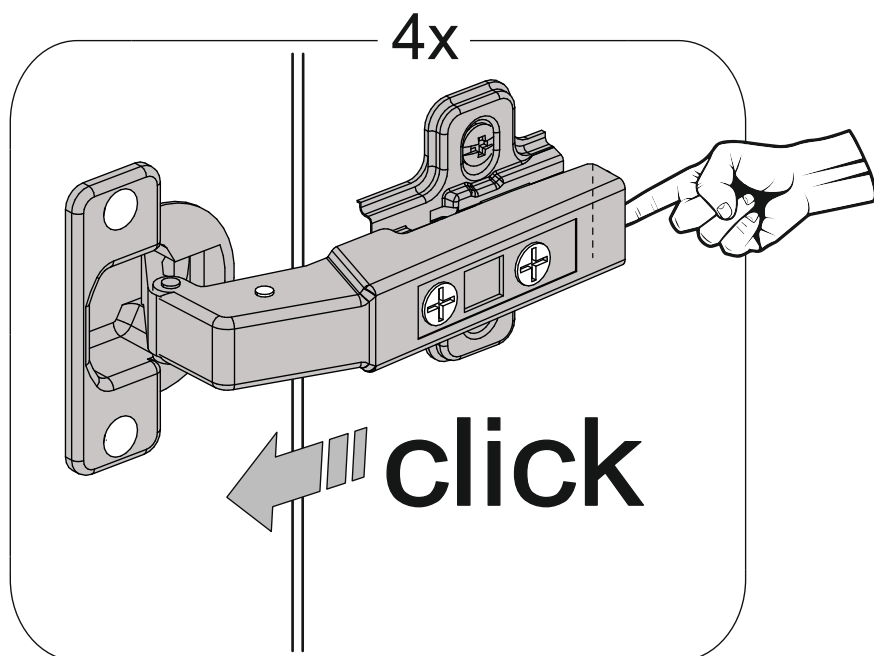
# 24



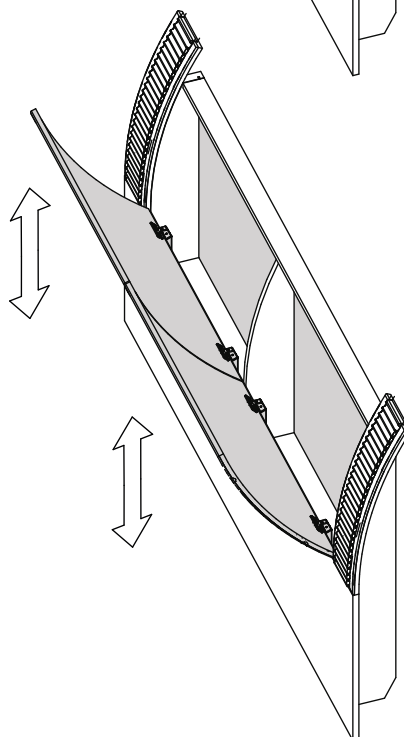
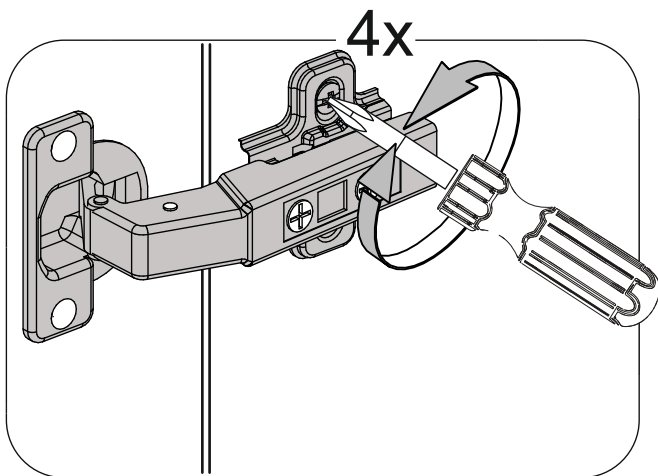
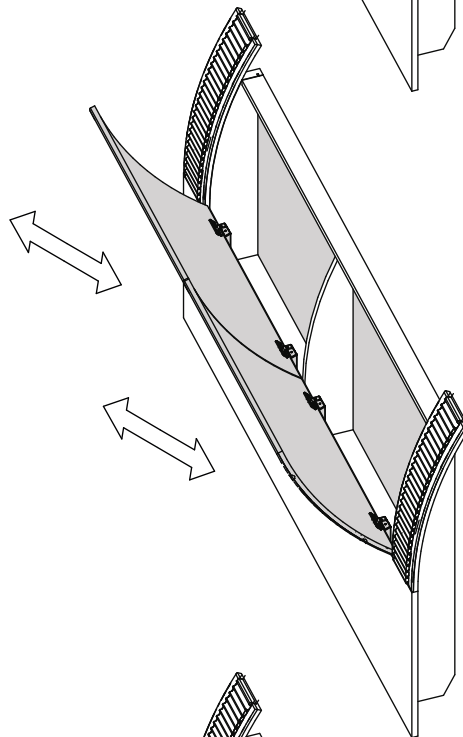
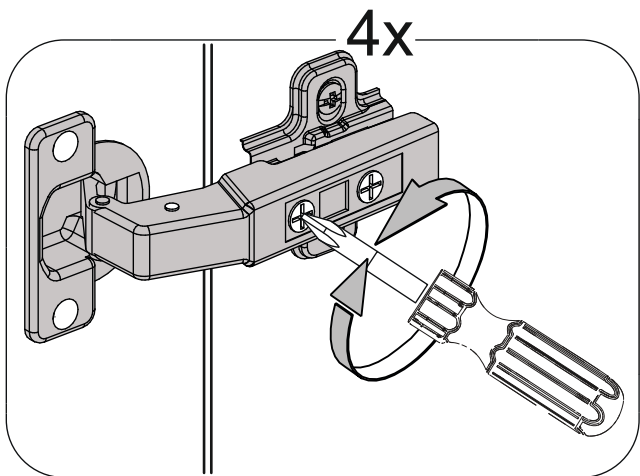
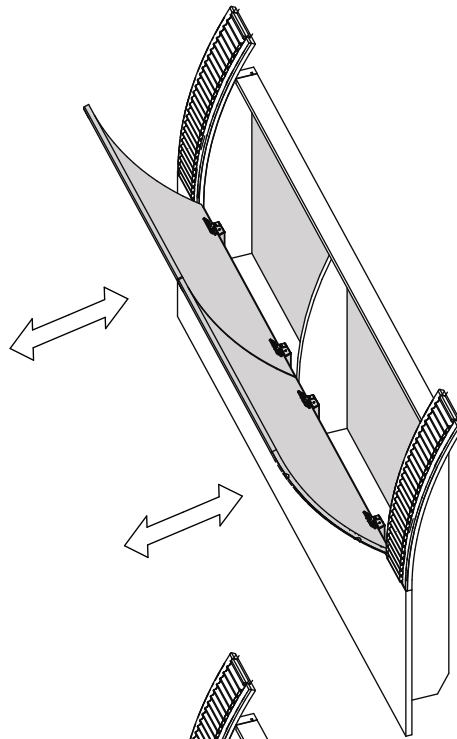
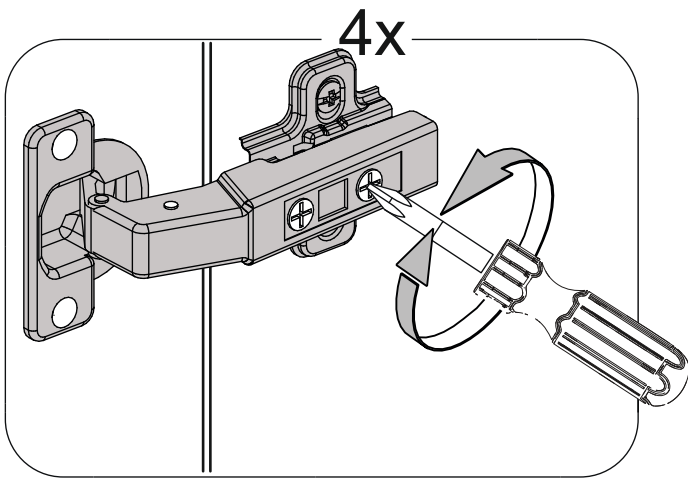
25



26

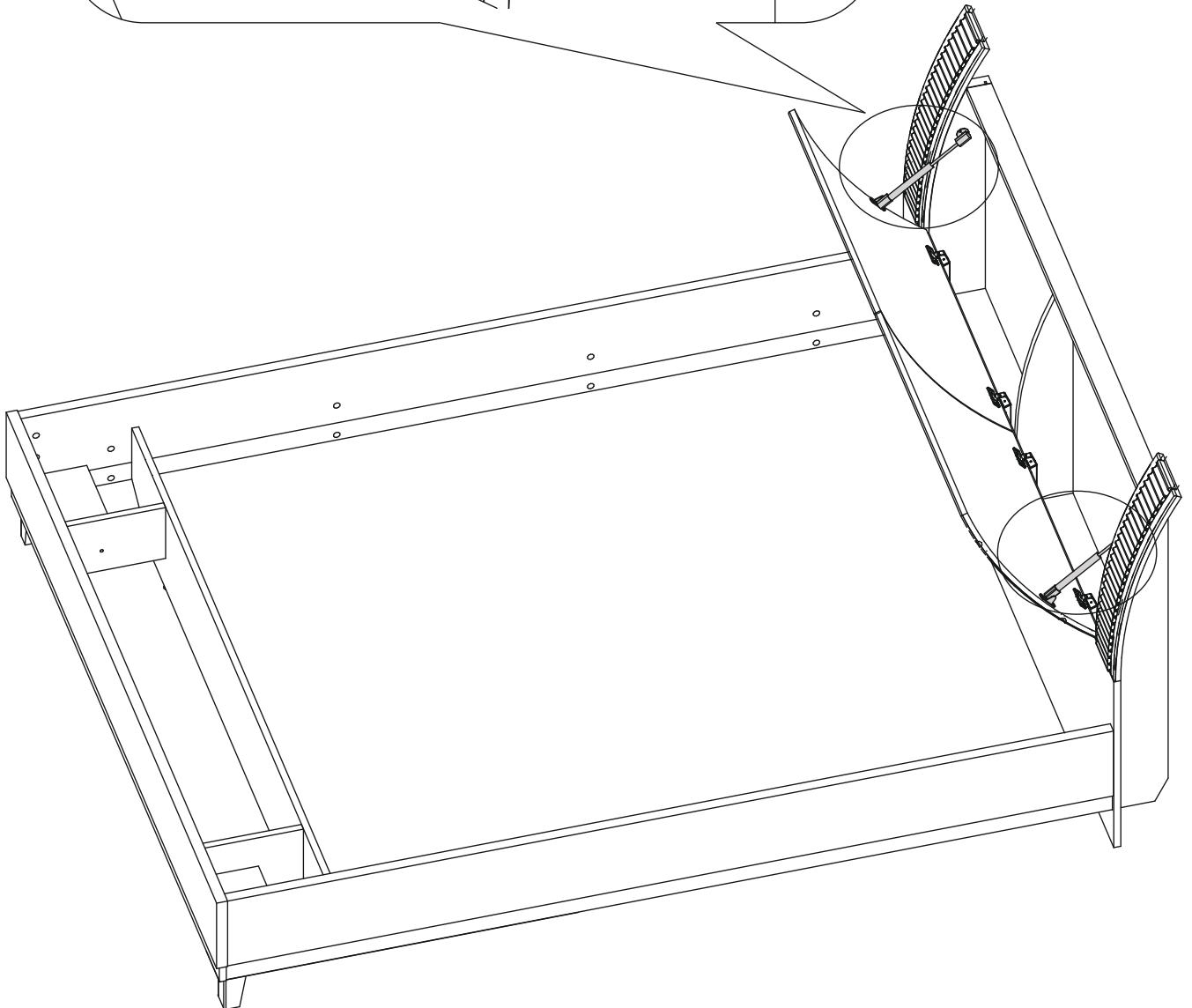
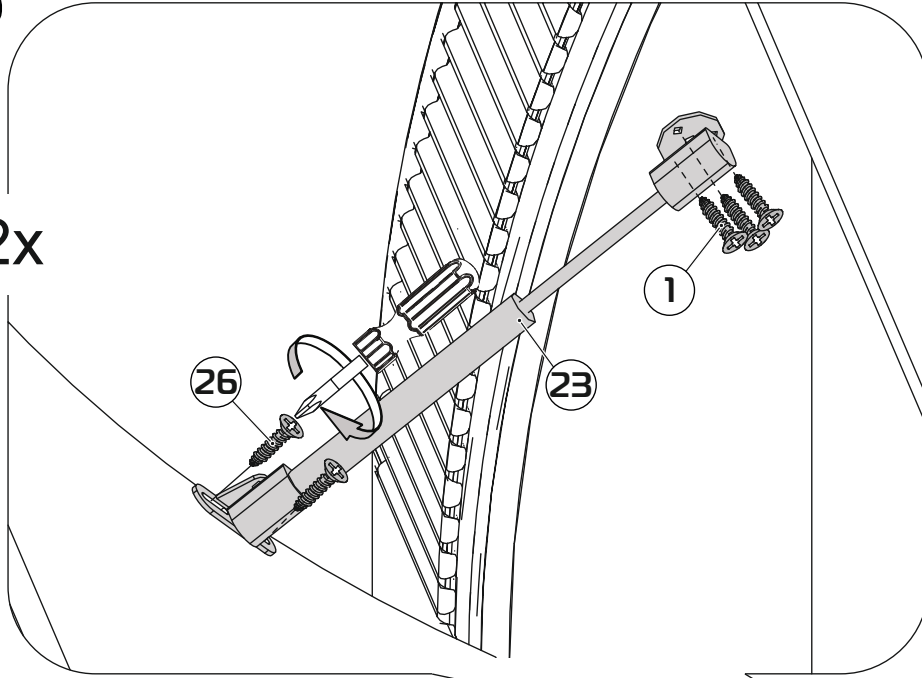


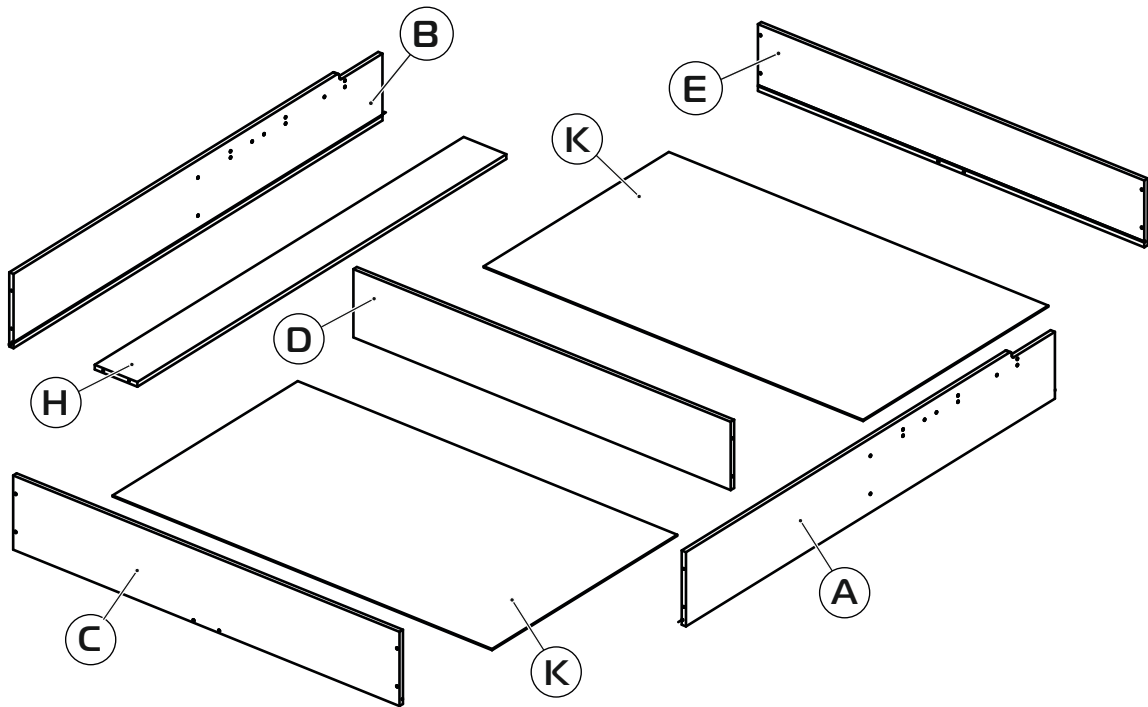
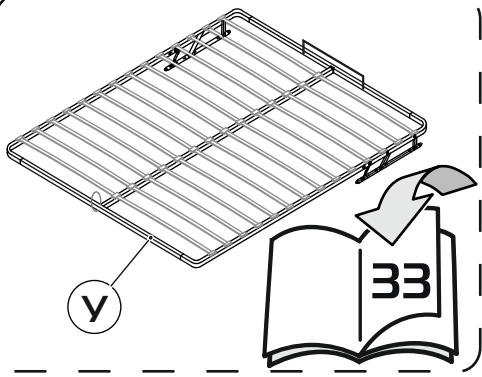
27


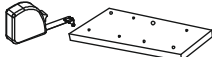
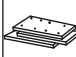



# 28

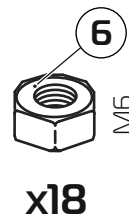
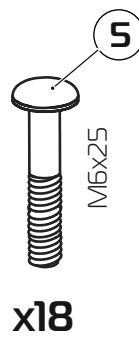
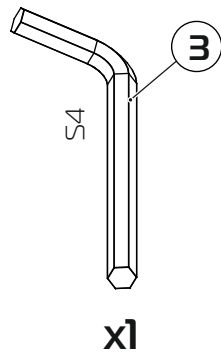
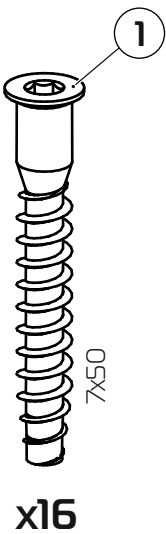
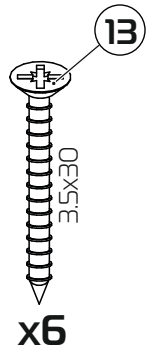
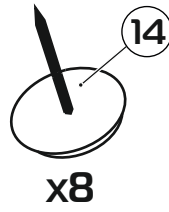
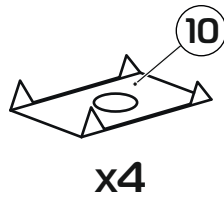
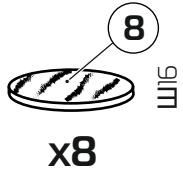
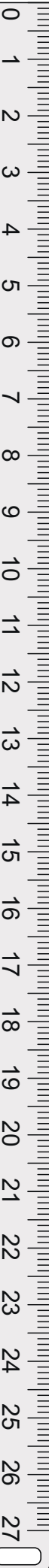
2x



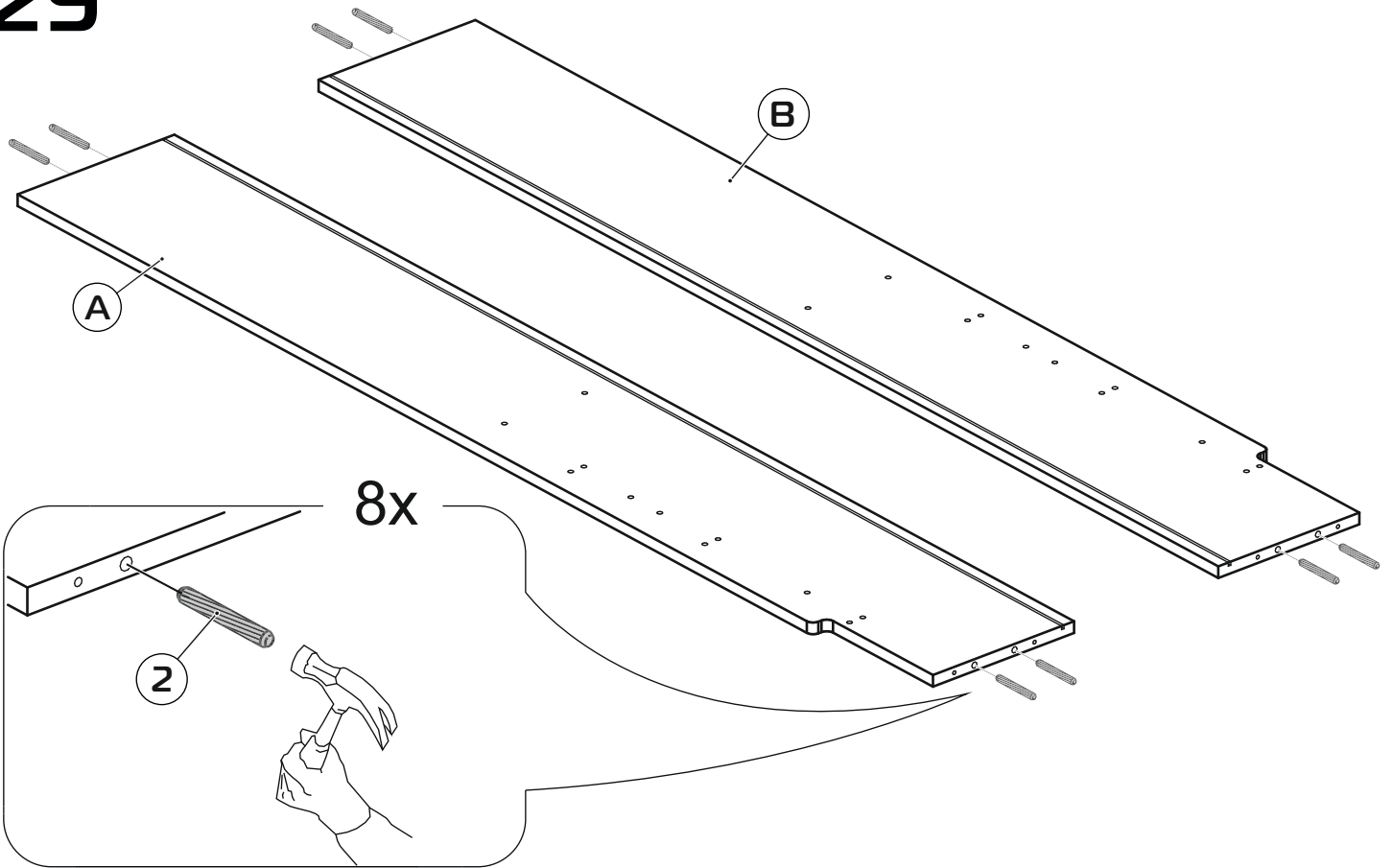


				
(A)	900020.001	1710x246x16	(x1)	(x4)
(B)	900020.002	1710x246x16	(x1)	(x4)
(C)	900020.003	1450x246x16	(x1)	(x4)
(D)	900020.004	1416x226x16	(x1)	(x4)
(E)	900020.005	1450x221x16	(x1)	(x4)
(H)	900020.006	1710x160x16	(x1)	(x4)
(K)	900020.007	1424x858x4	(x2)	(x5)
(Y)	IP-701-02	1980x1590	(x1)	(x6)

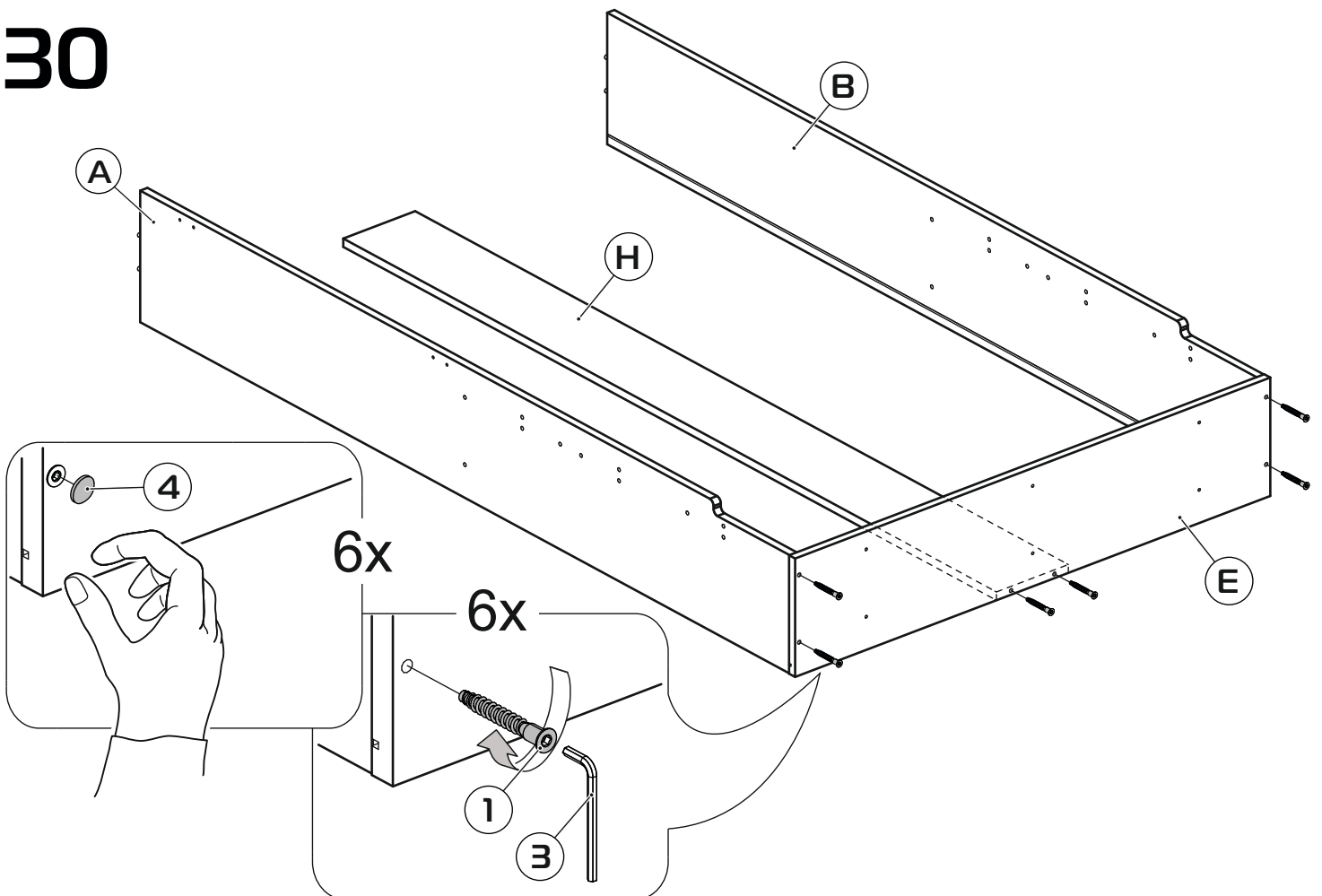
1:1



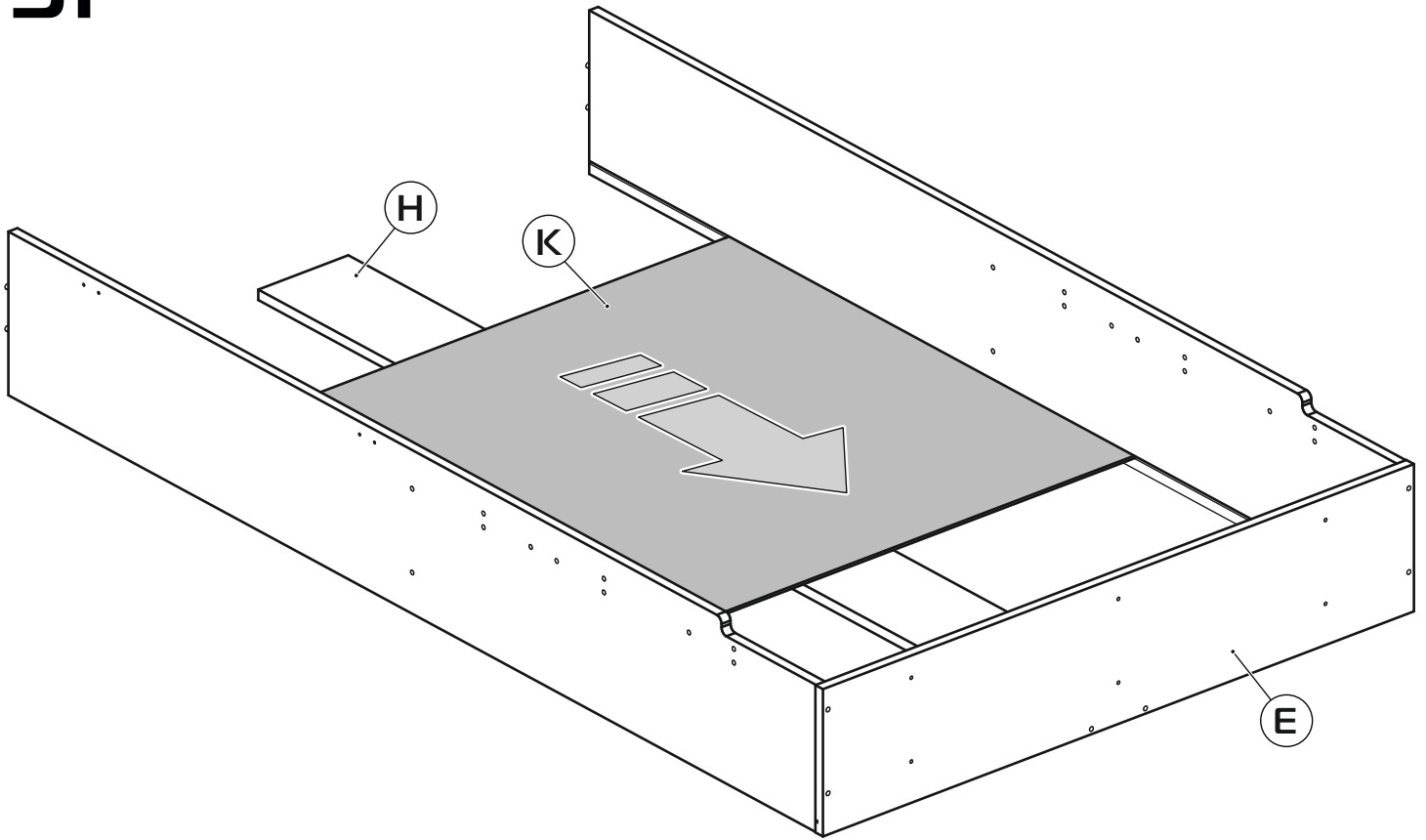
# 29



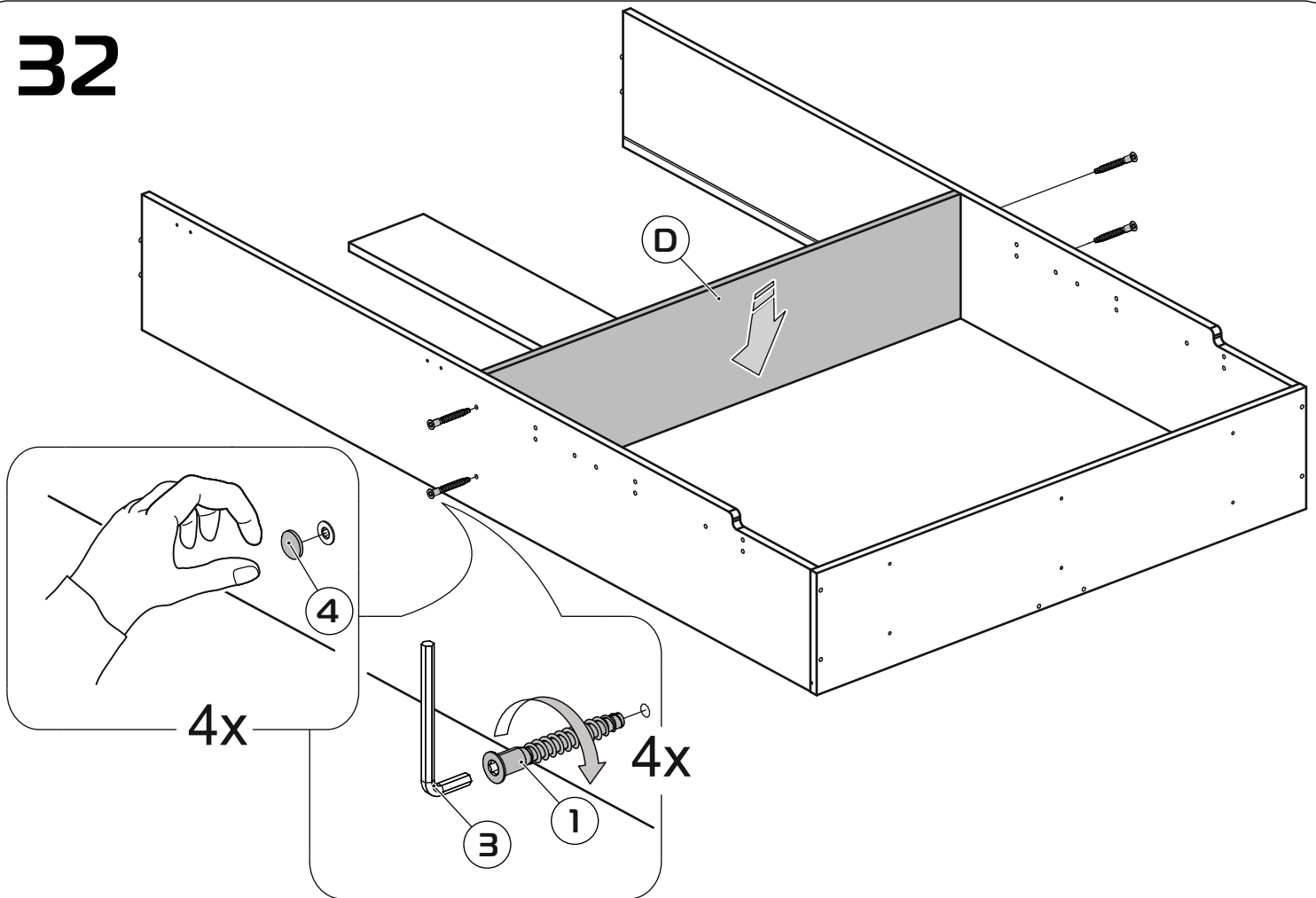
# 30



# 31

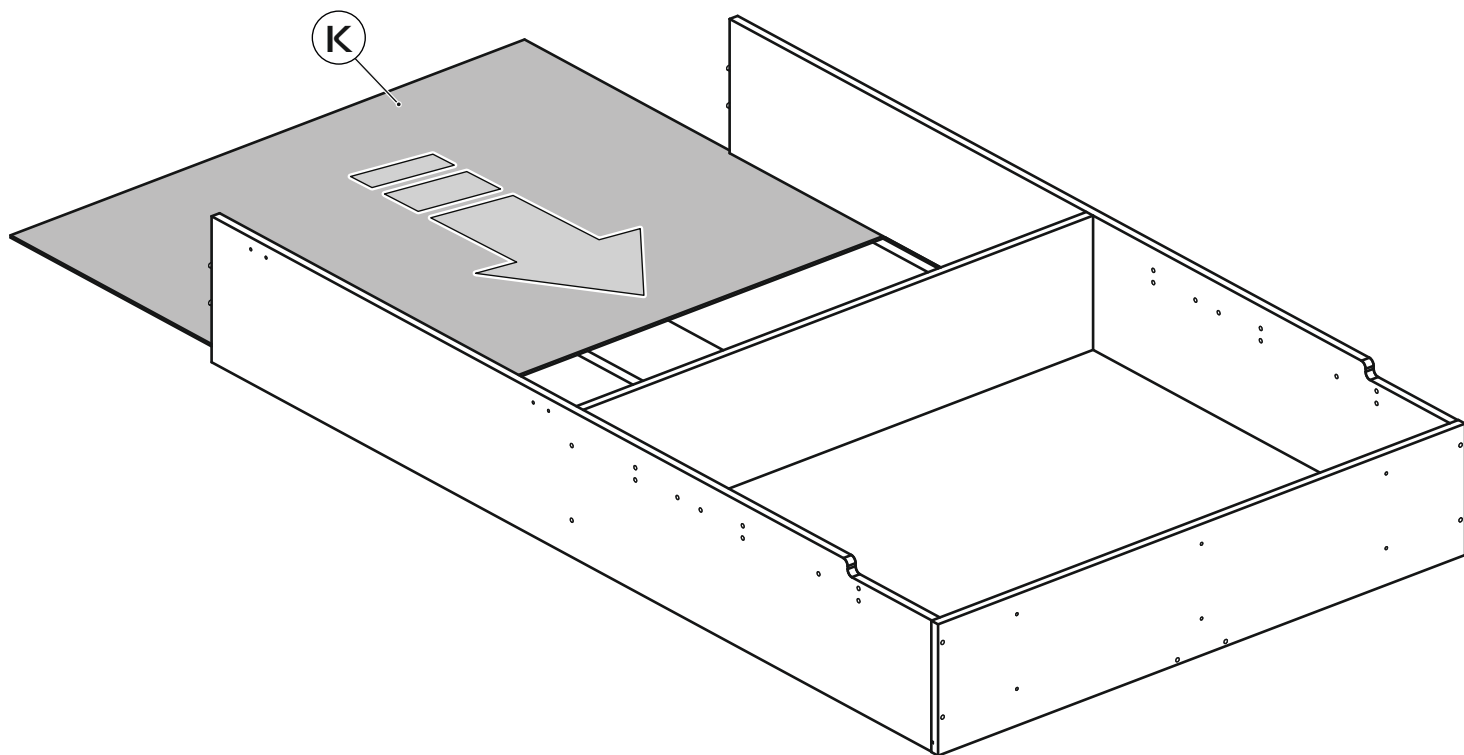


# 32

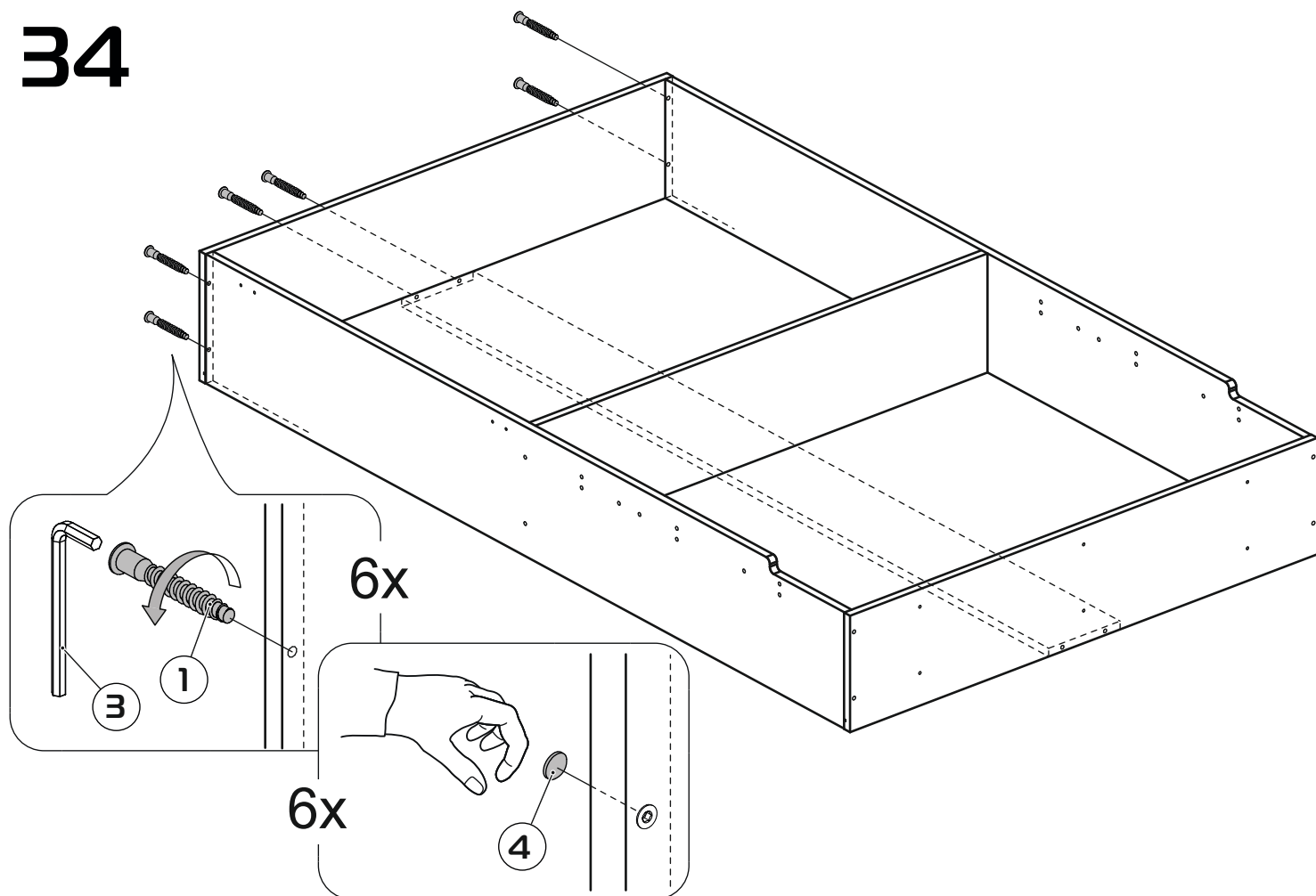




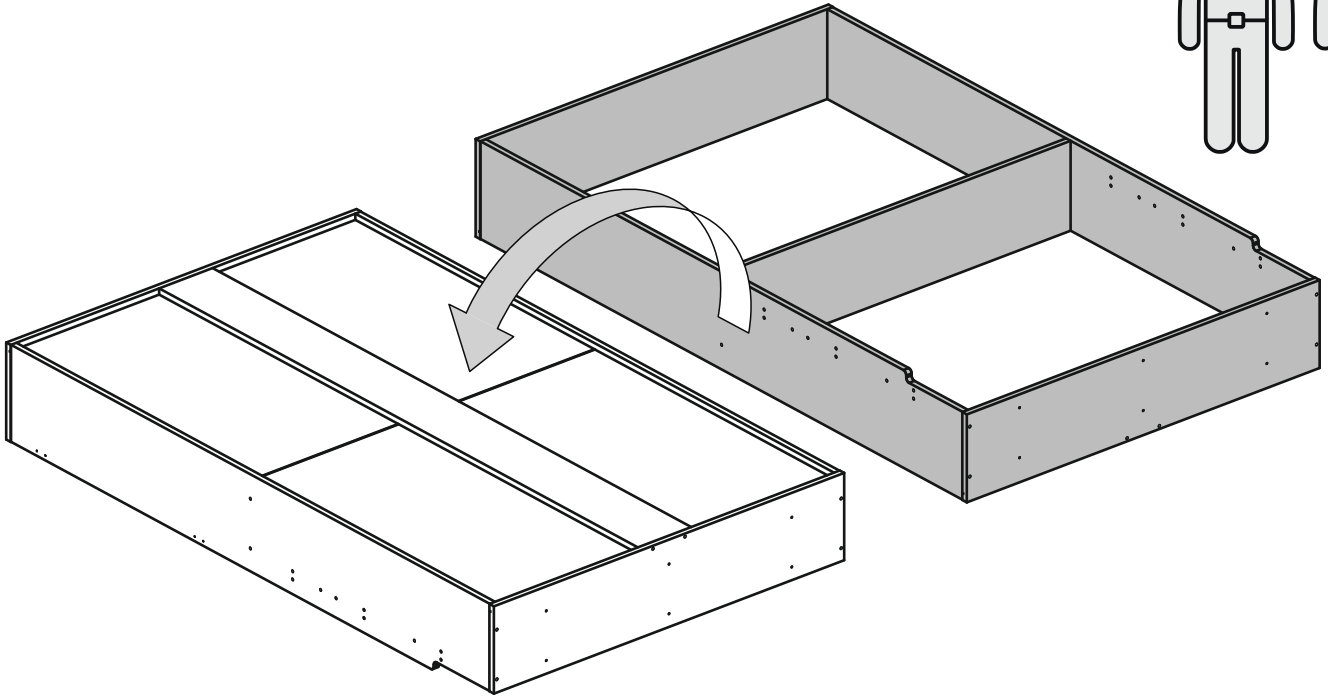
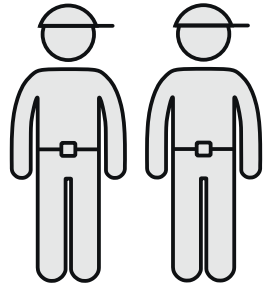
# 33



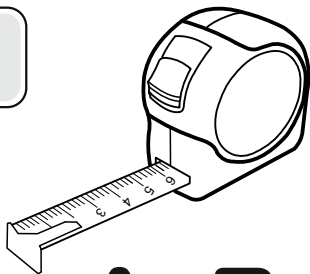
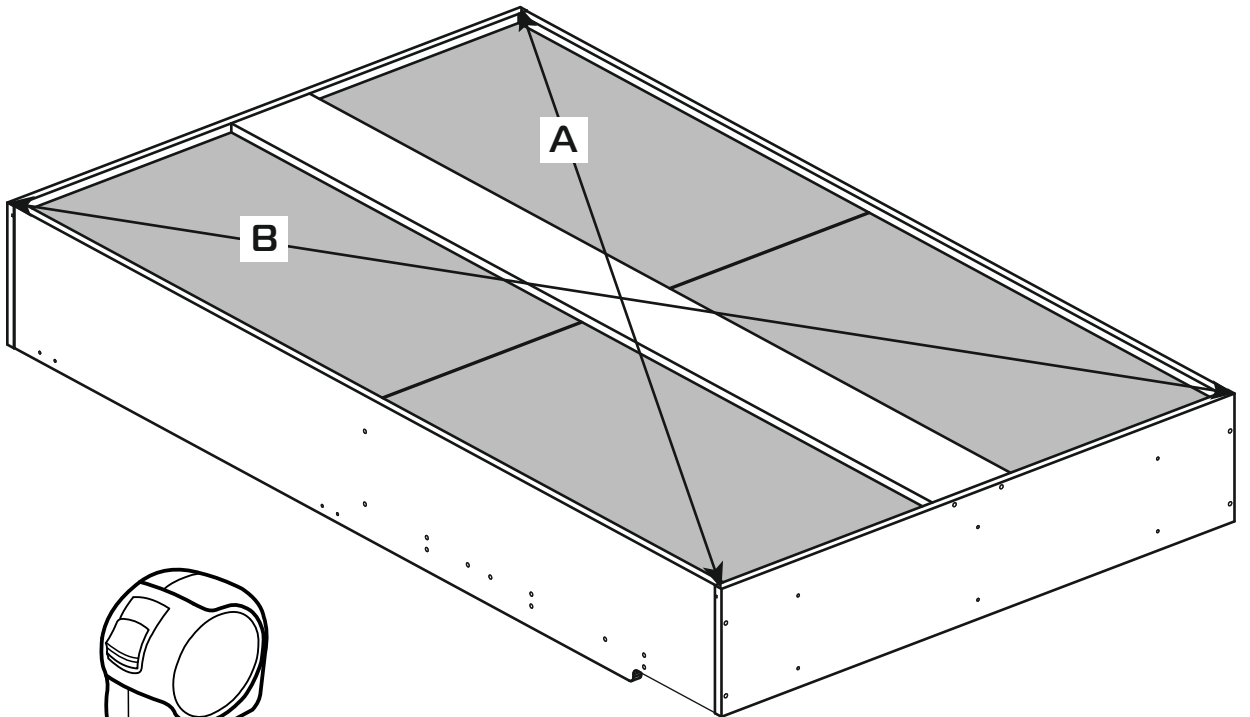
# 34



# 35

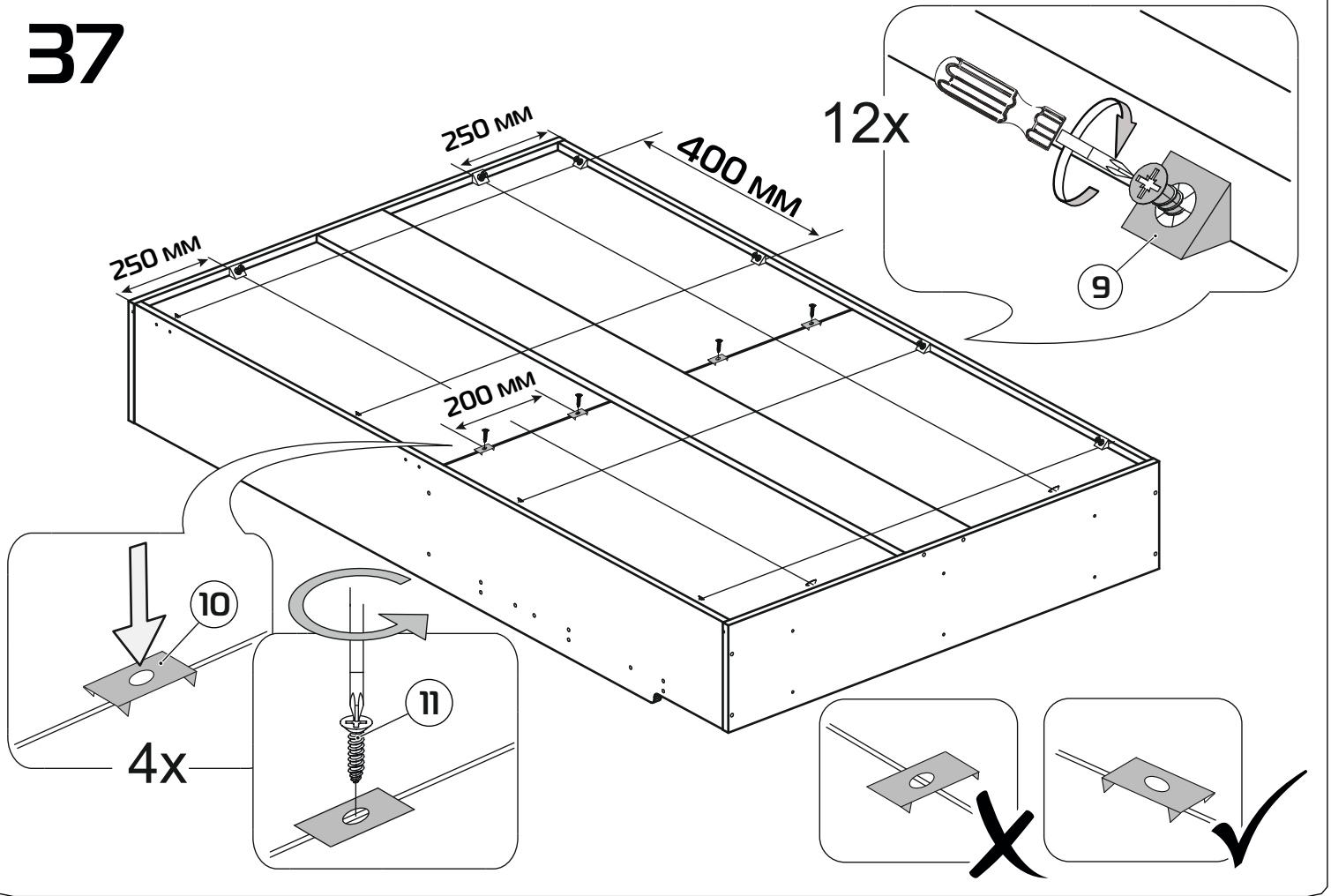


# 36

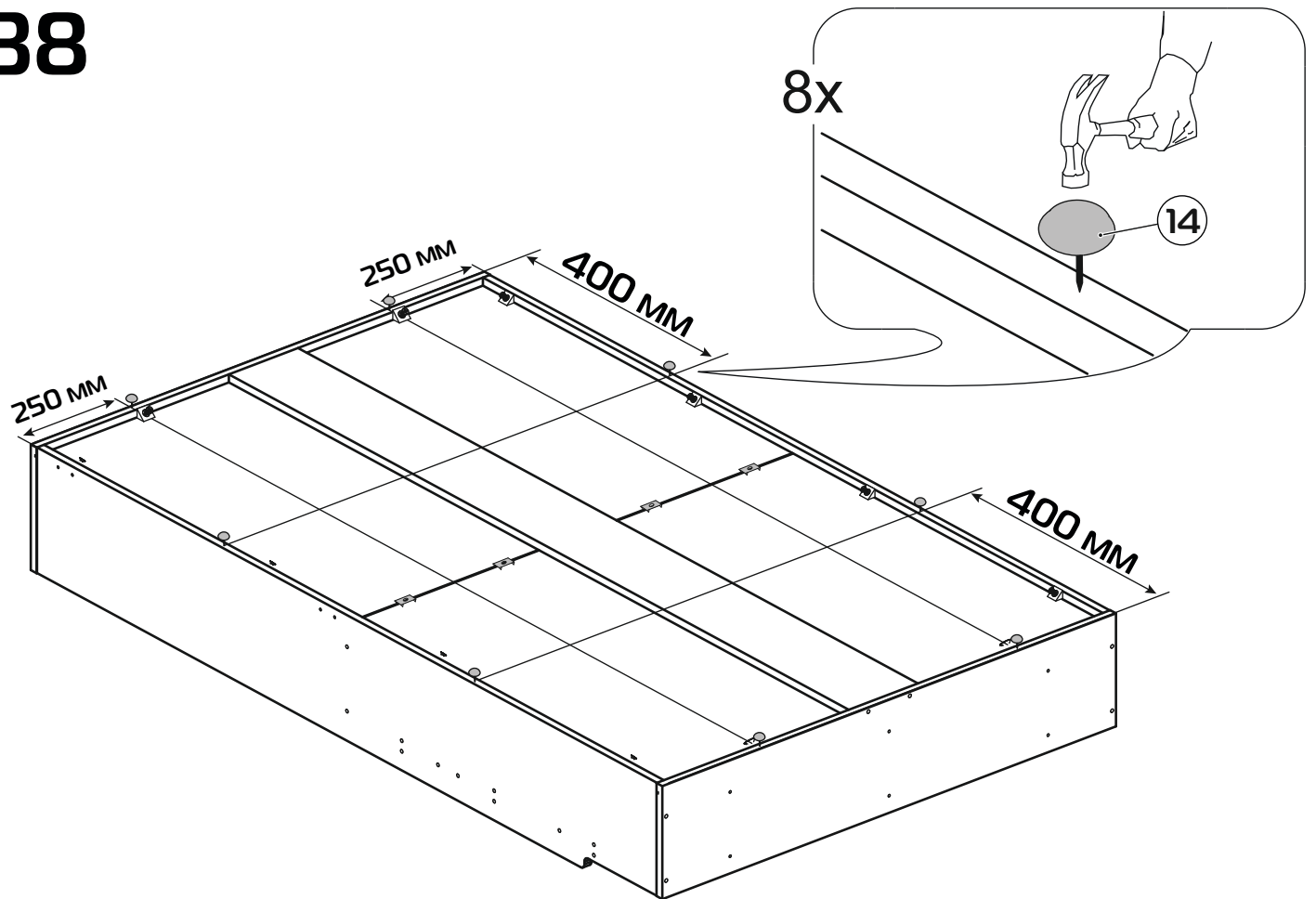


**A=B**

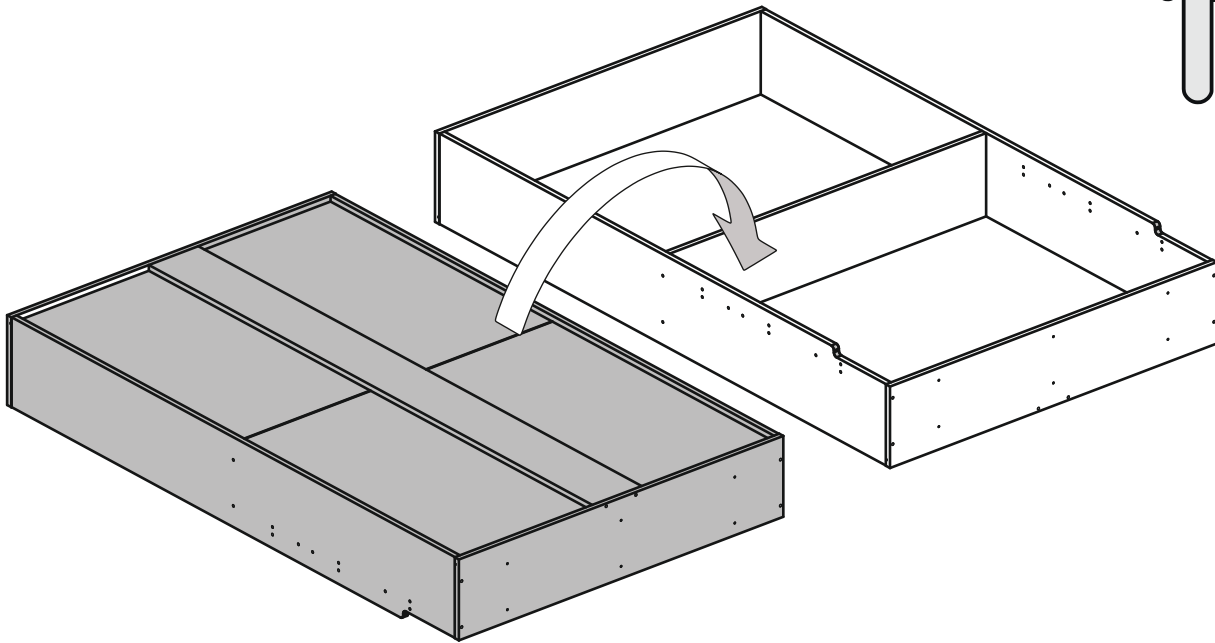
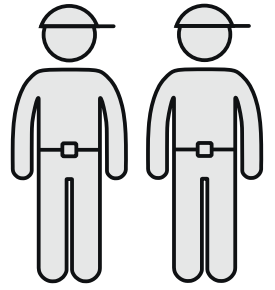
# 37



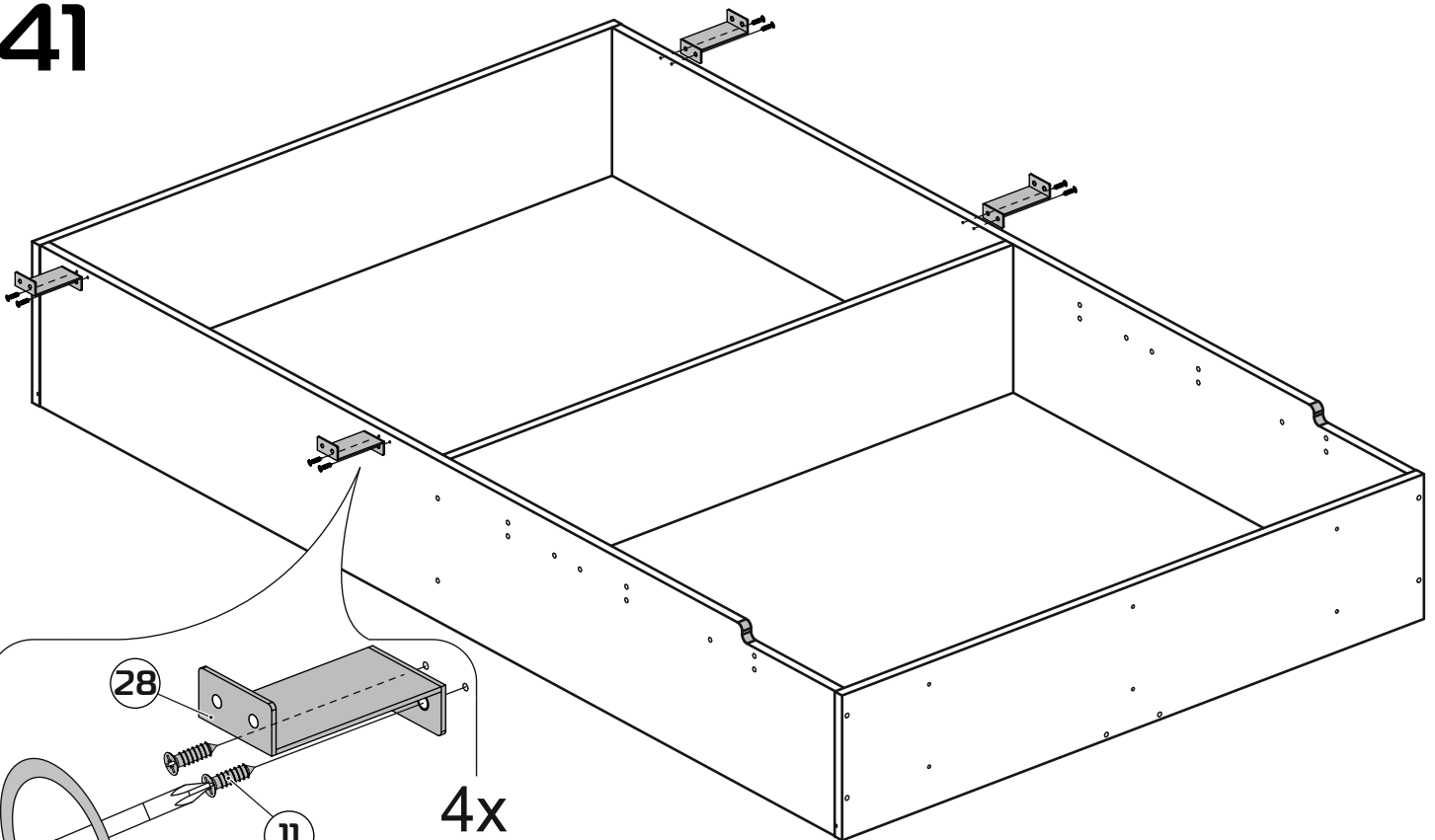
# 38



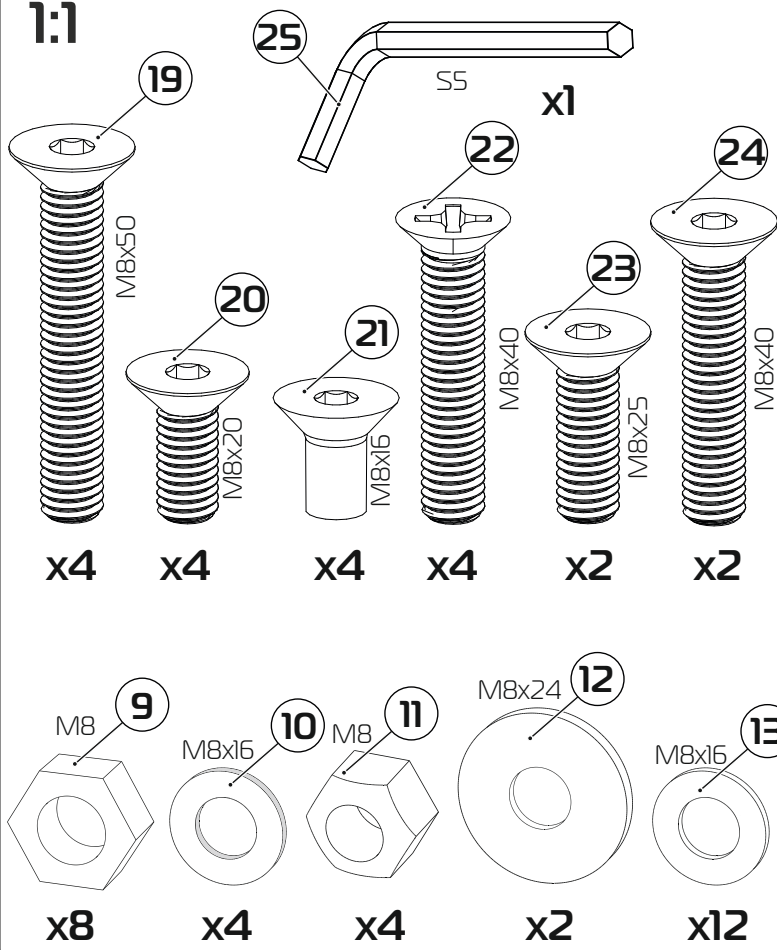
# 40



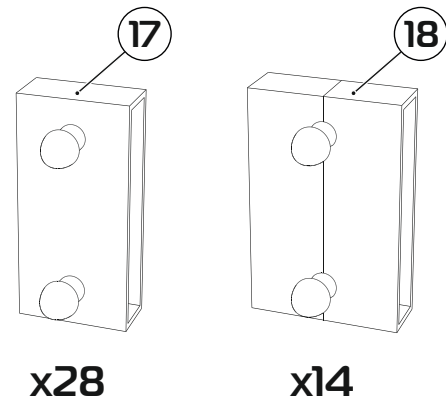
# 41



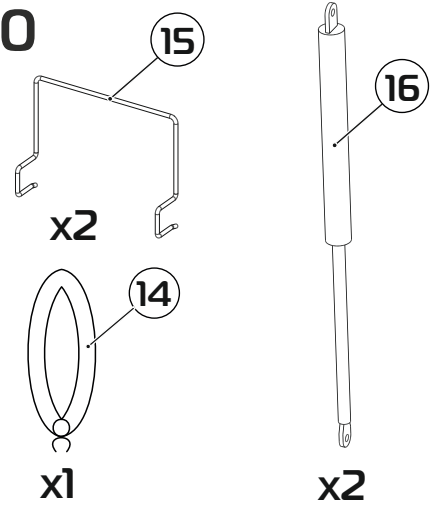
1:1



1:2

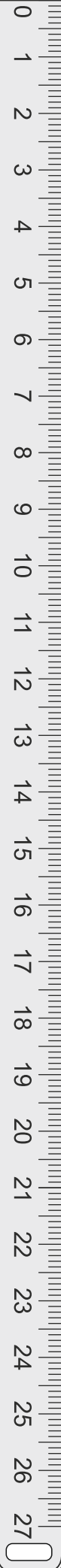
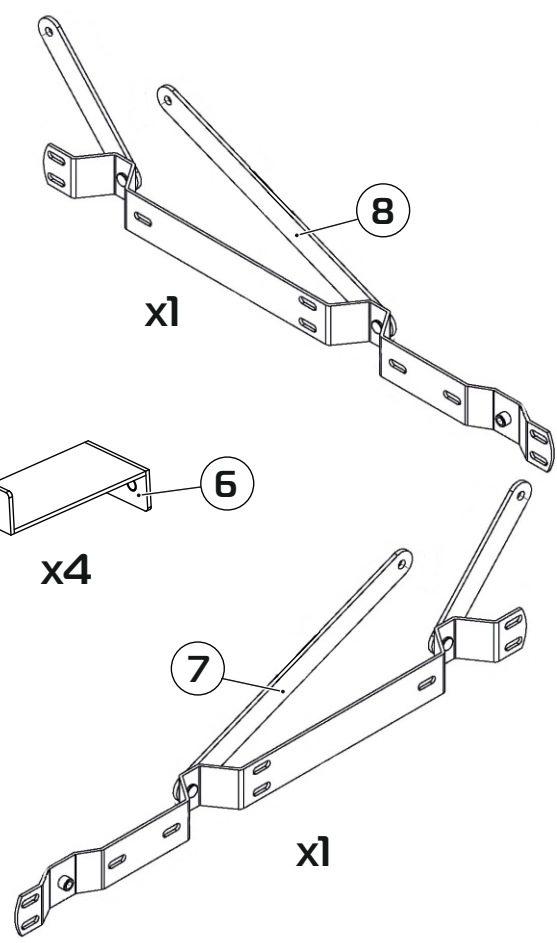
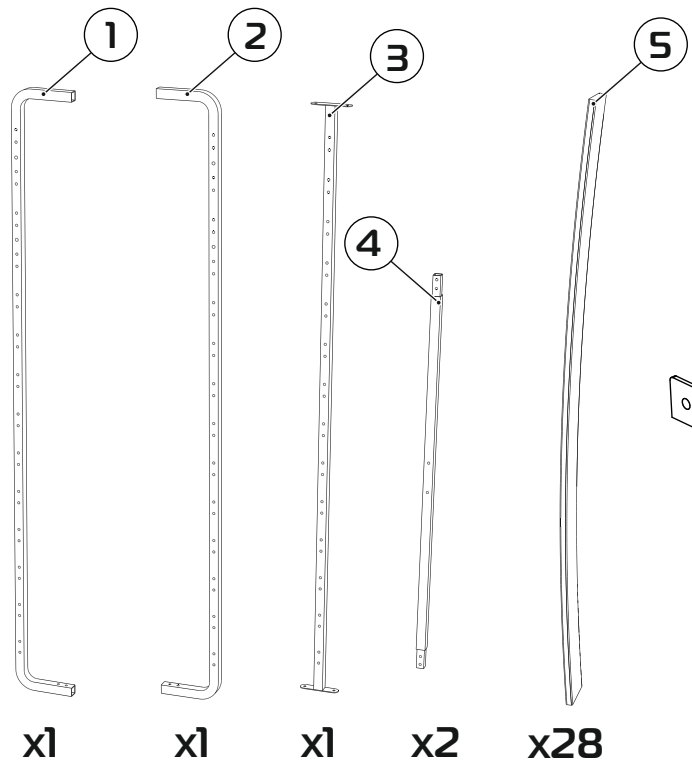


1:10

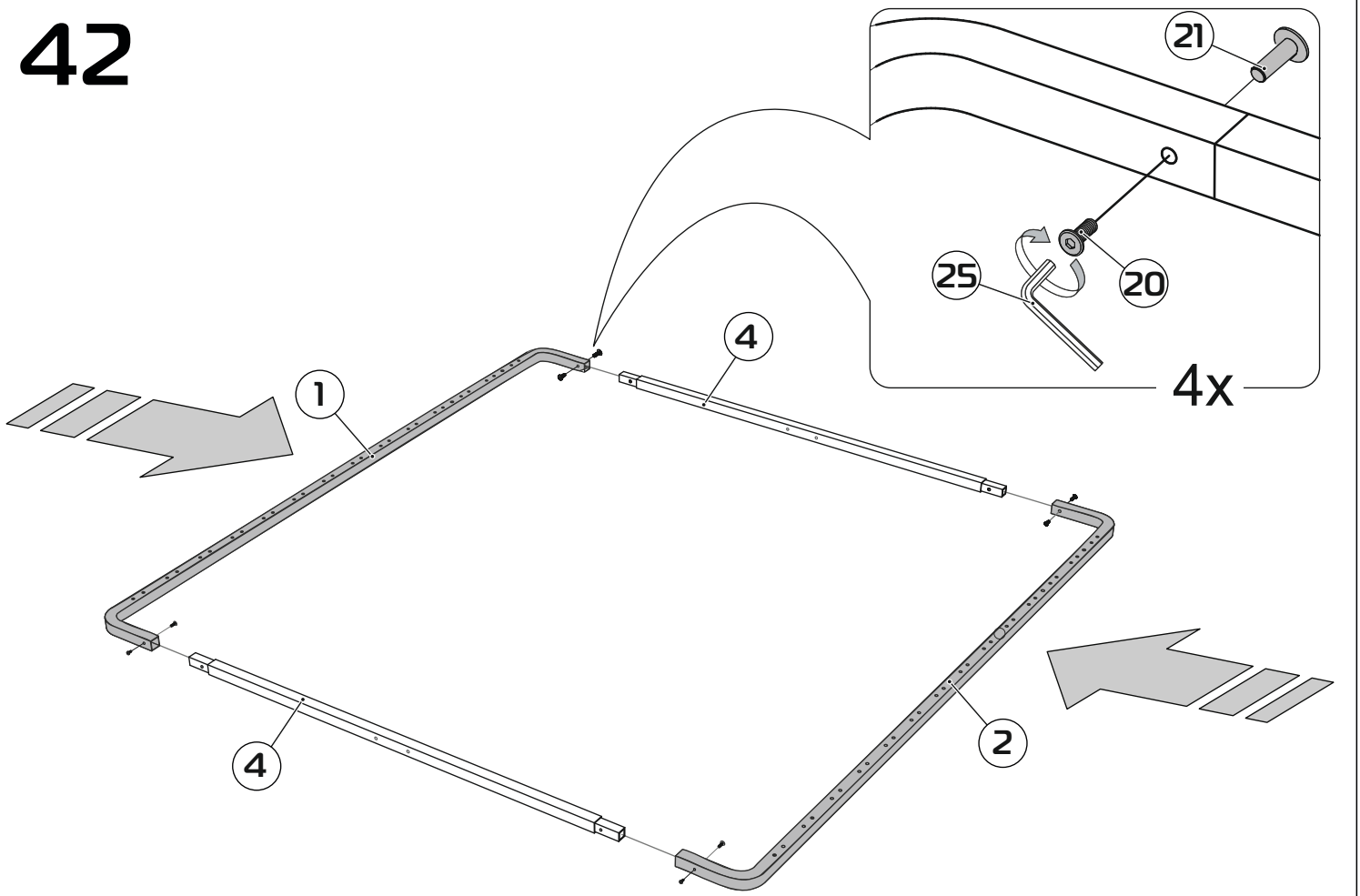


1:25

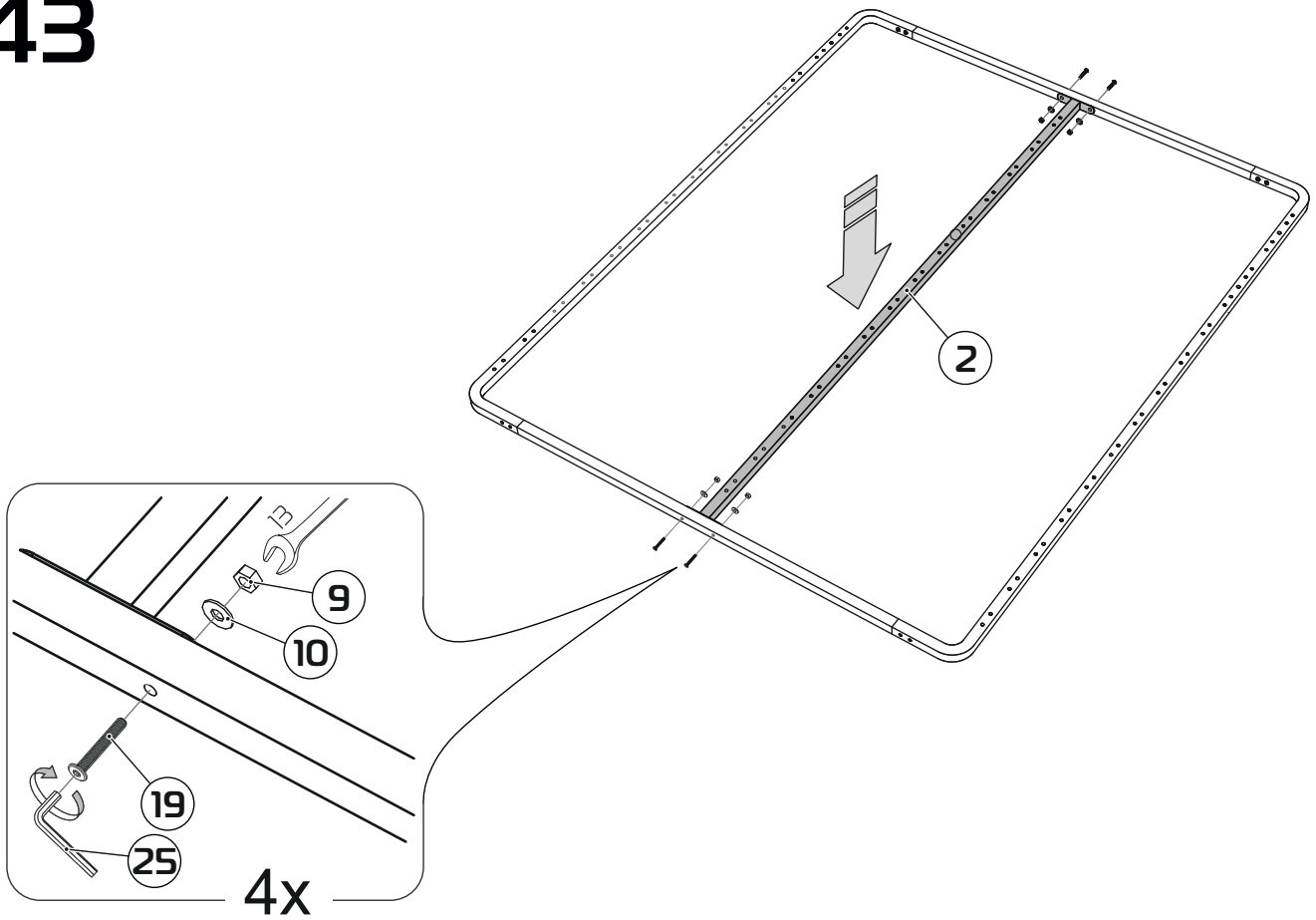
(Y) IP-701



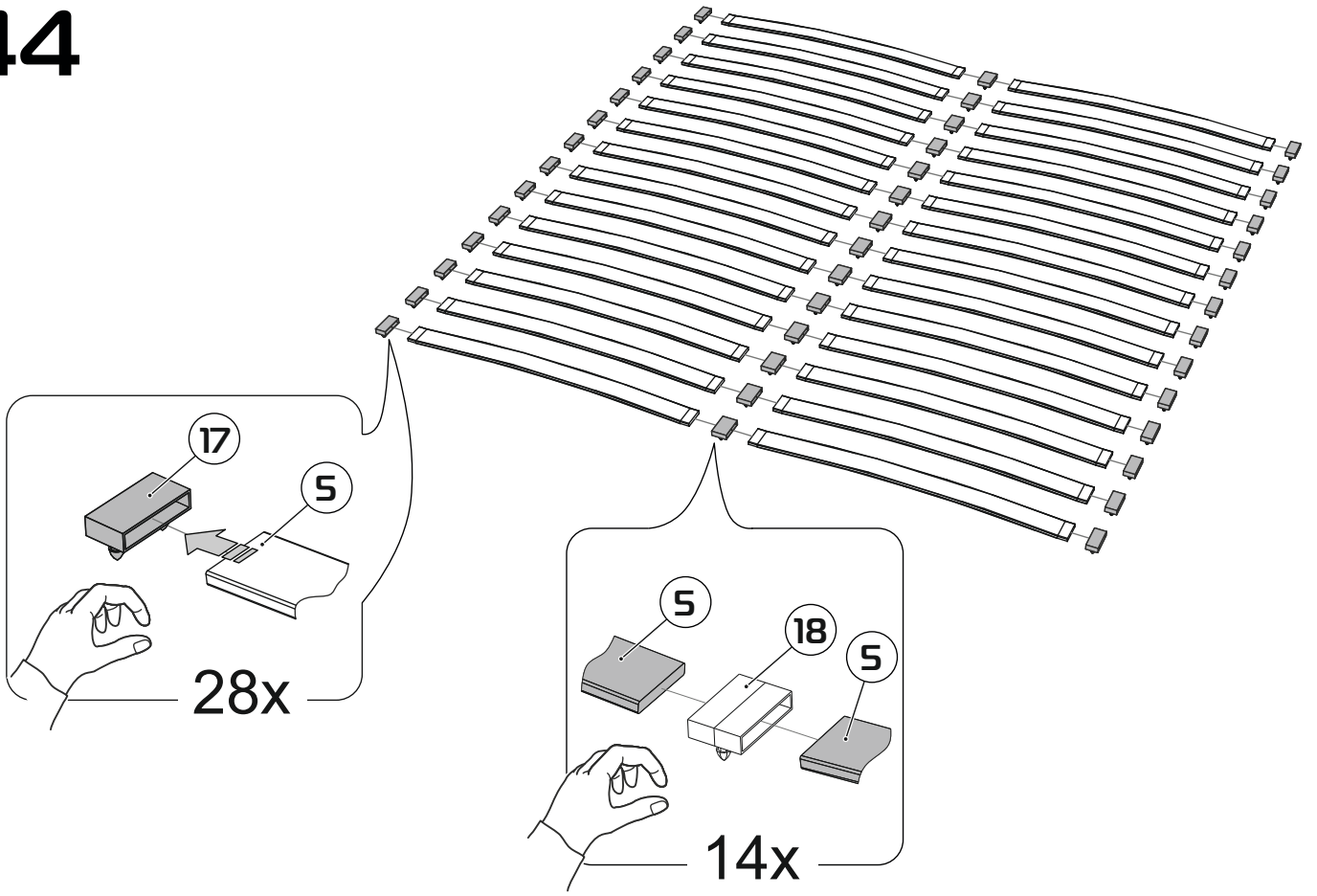
# 42



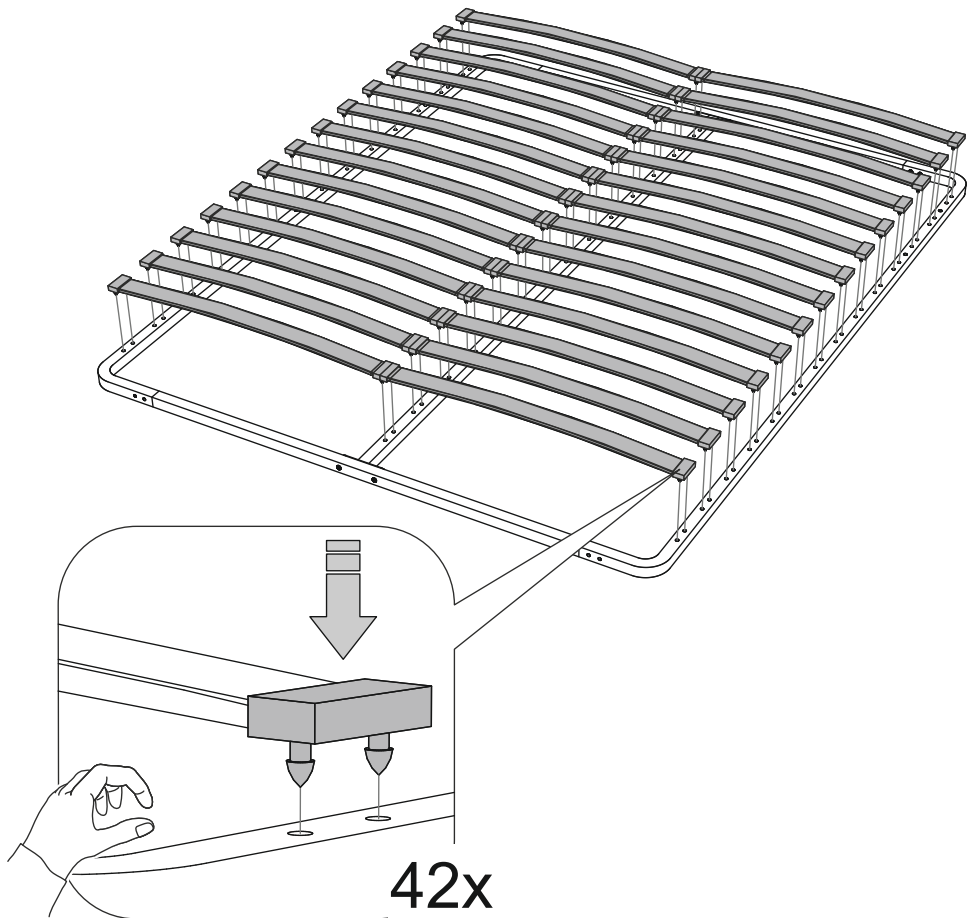
# 43



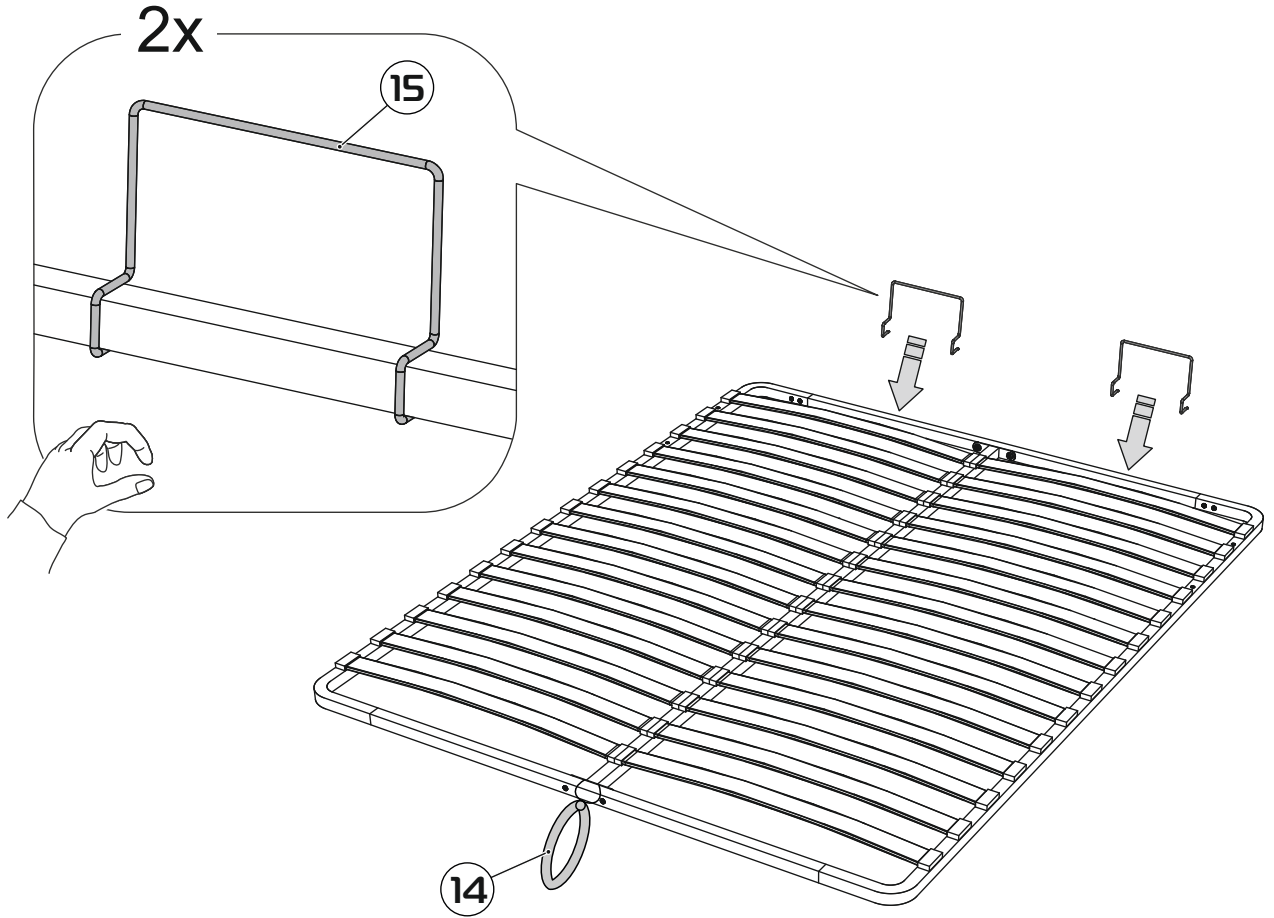
# 44



# 45



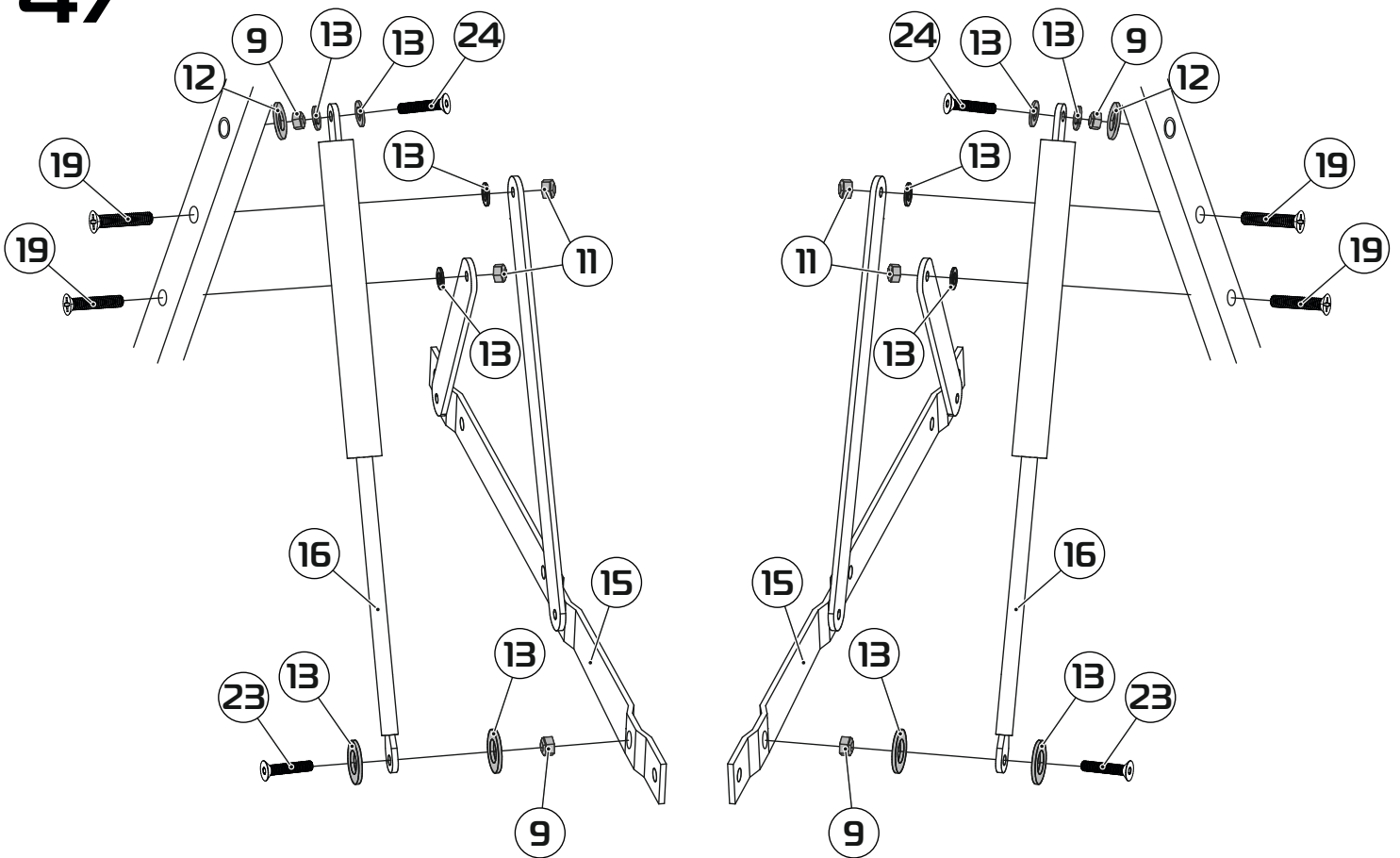
# 46



# 47

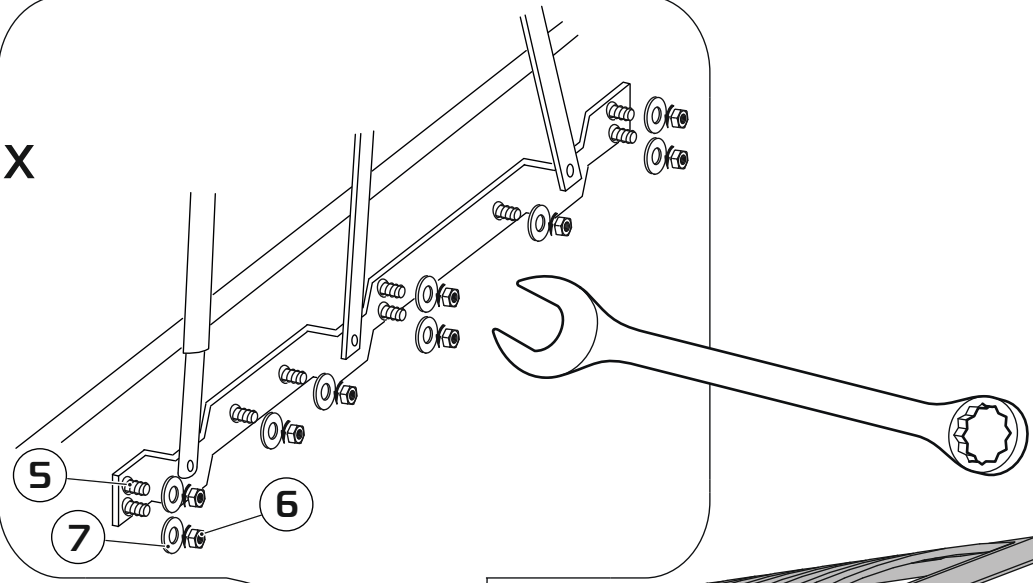
## Left

## Right

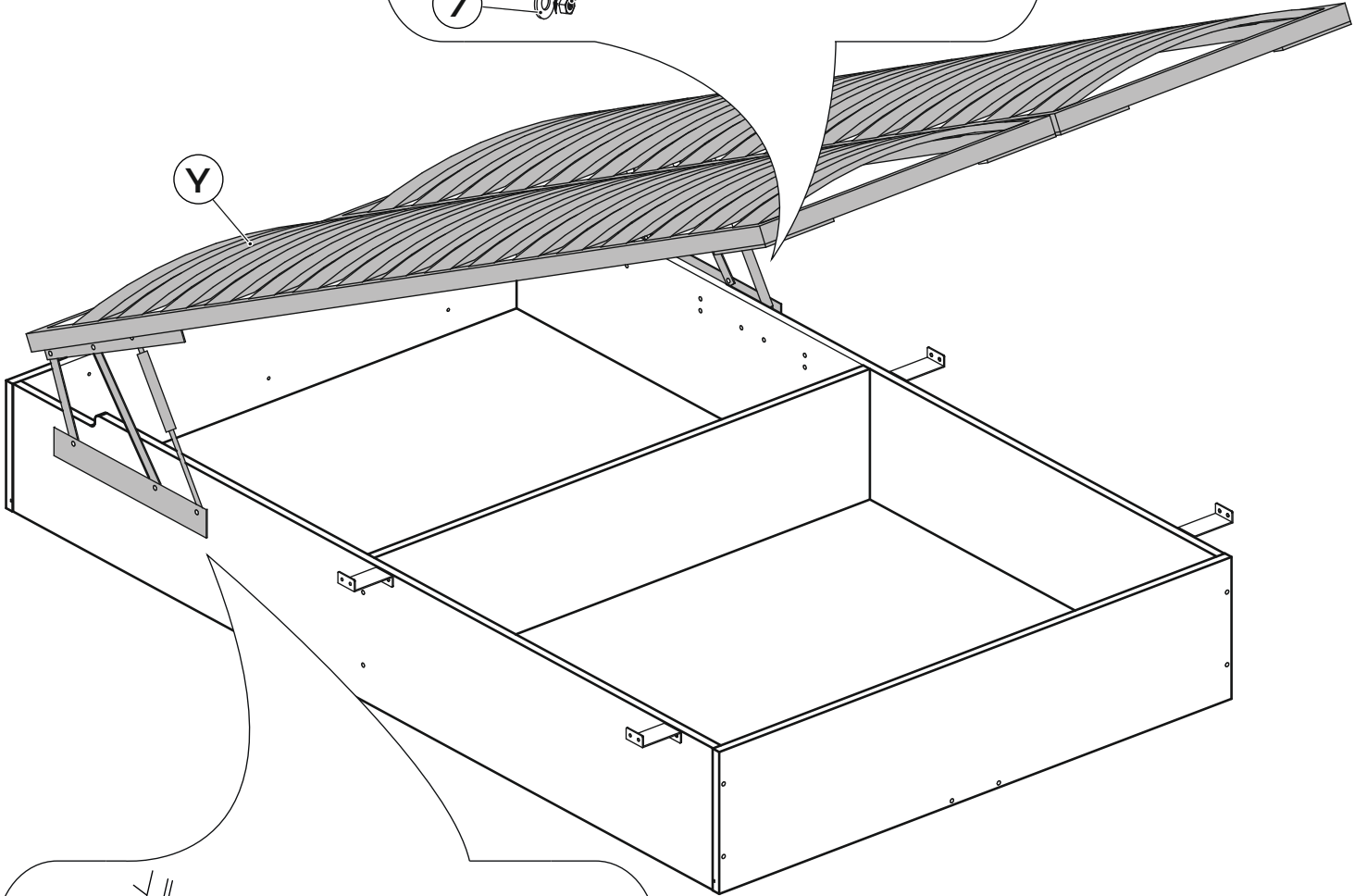




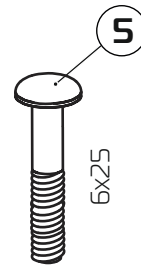
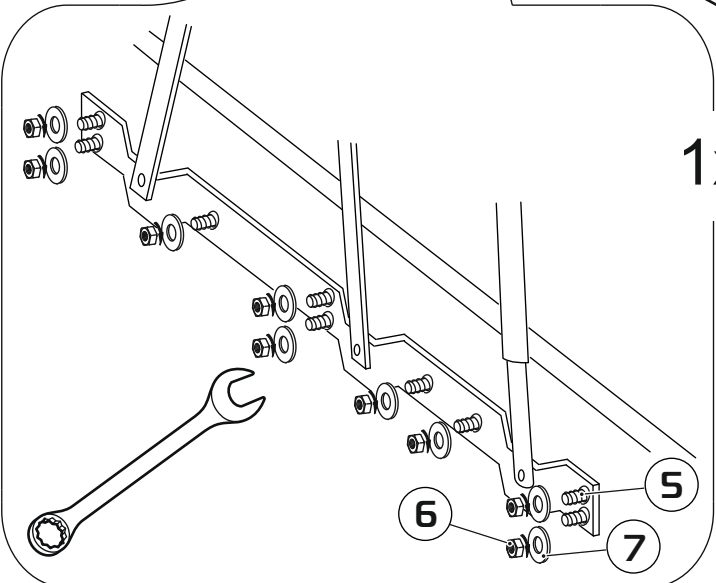
1x



Y



1x



x18

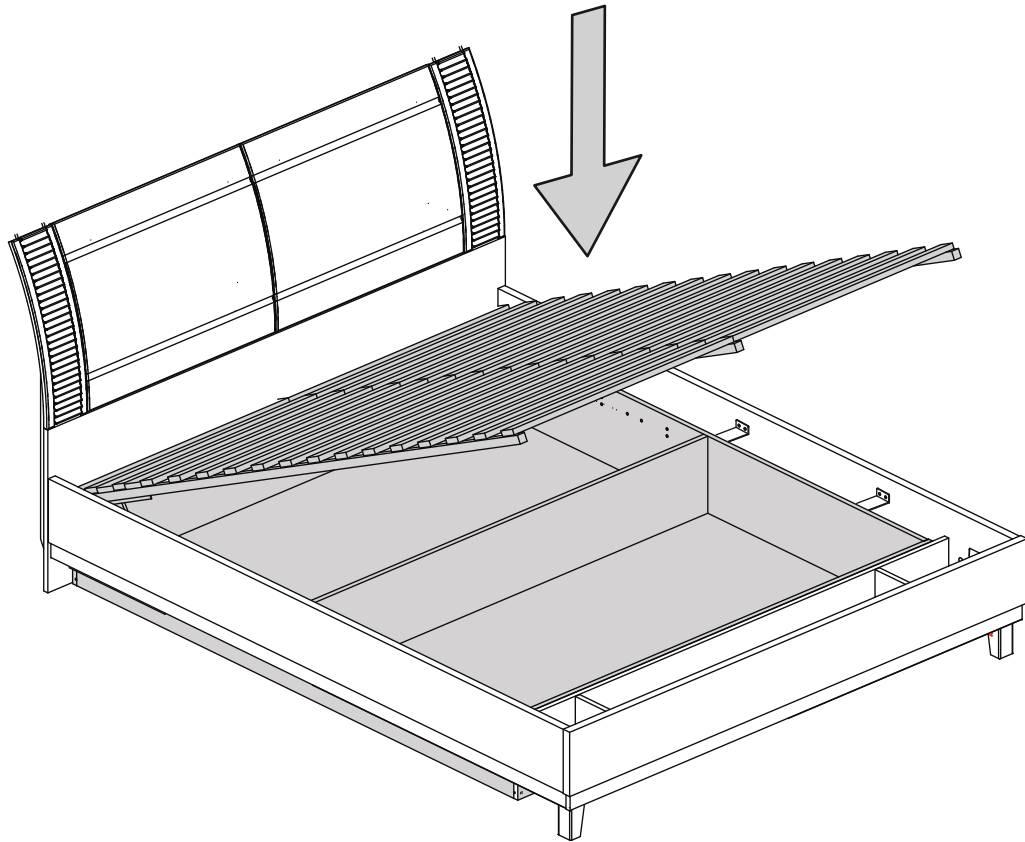


x18

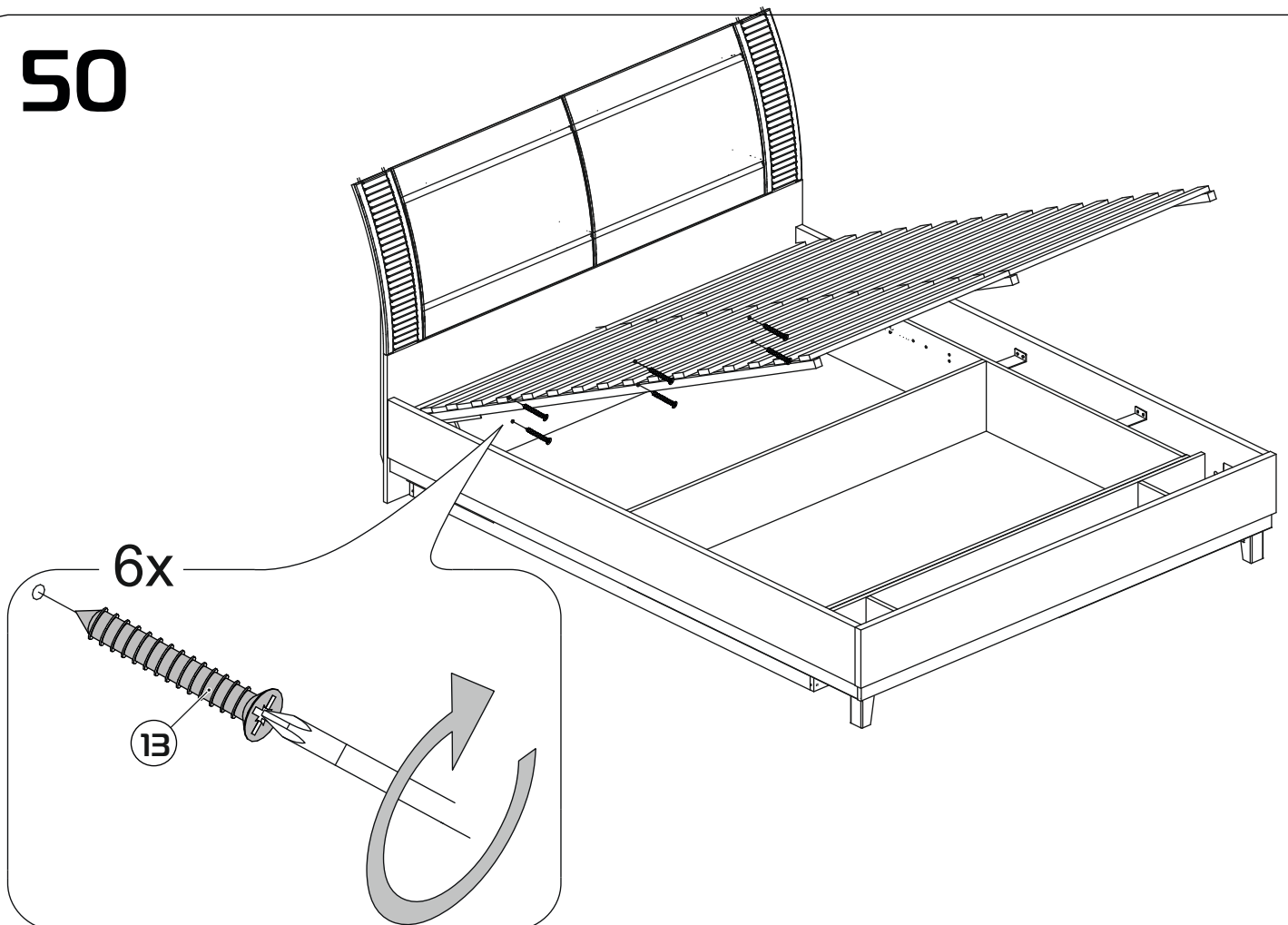


x18

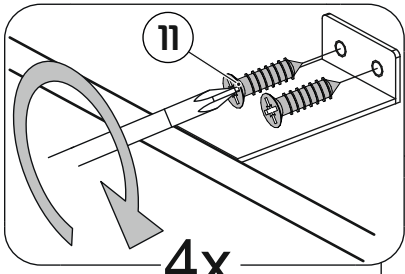
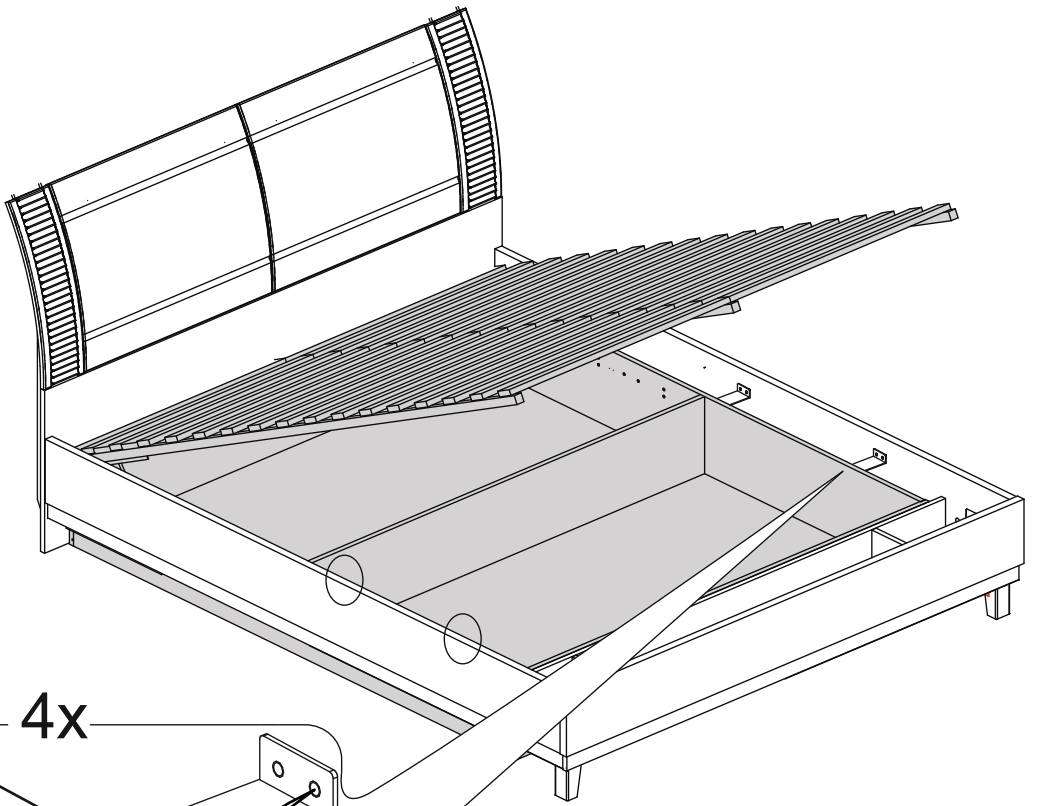
49



50

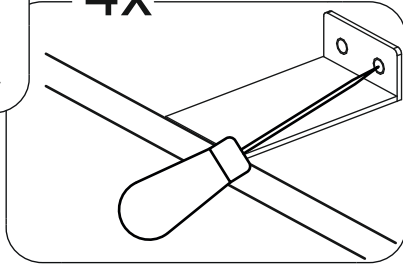


# 51

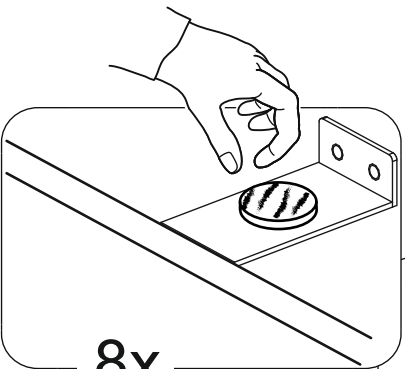
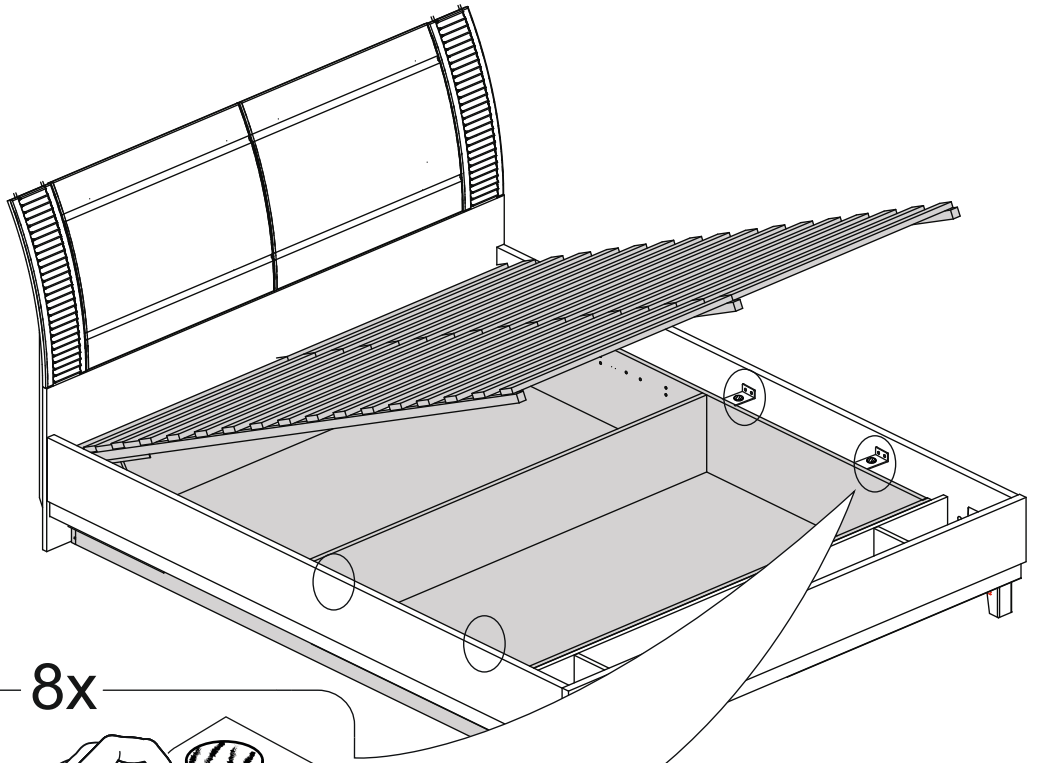


4x

4x



# 52



8x

8x

